

GENERAL INFORMATION

CABLE TRAY



STANDARD LENGTH OF THE TRAY	:	2440 - 3000
FLANGE HEIGHT		
LIGHT DUTY	:	25 - 30
MEDIUM DUTY	:	50 - 75
HEAVY DUTY	:	75 - 100

LIGHT DUTY TRAY

50 - 200 wide x 1.0 METAL THICKNESS
250 - 350 wide x 1.2 METAL THICKNESS
400-600 WIDE x 1.5 METAL THICKNESS

MEDIUM DUTY TRAY

100 - 300 wide x 1.2 METAL THICKNESS
350-600 WIDE x 1.5 METAL THICKNESS

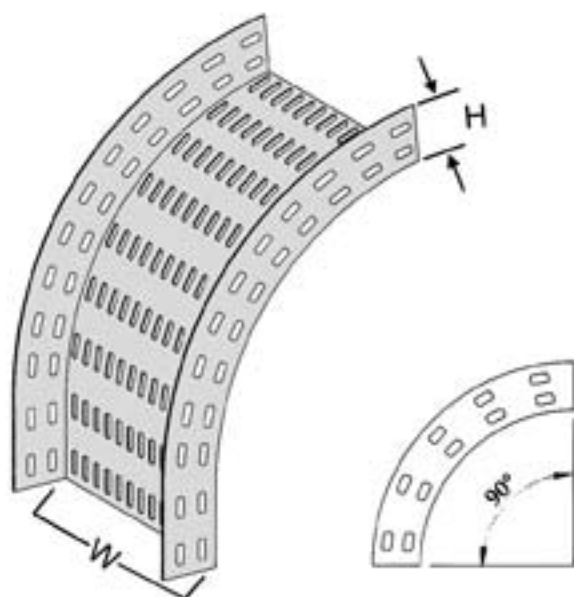
HEAVY DUTY TRAY

100 - 350 wide x 1.5 METAL THICKNESS
400-1000 WIDE x 2.0 METAL THICKNESS

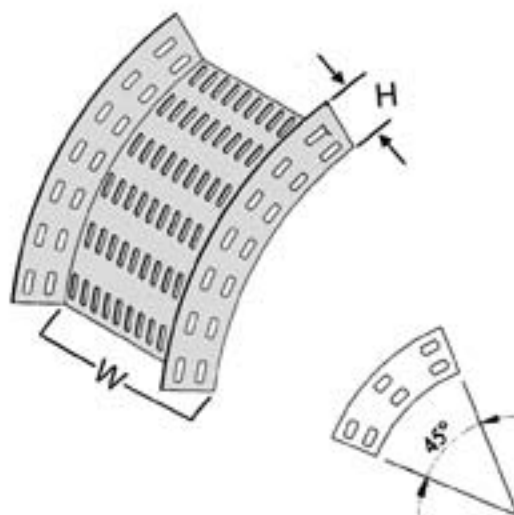
NOTES: 1. ALL DIMENSIONS ARE IN MILLIMETERS.



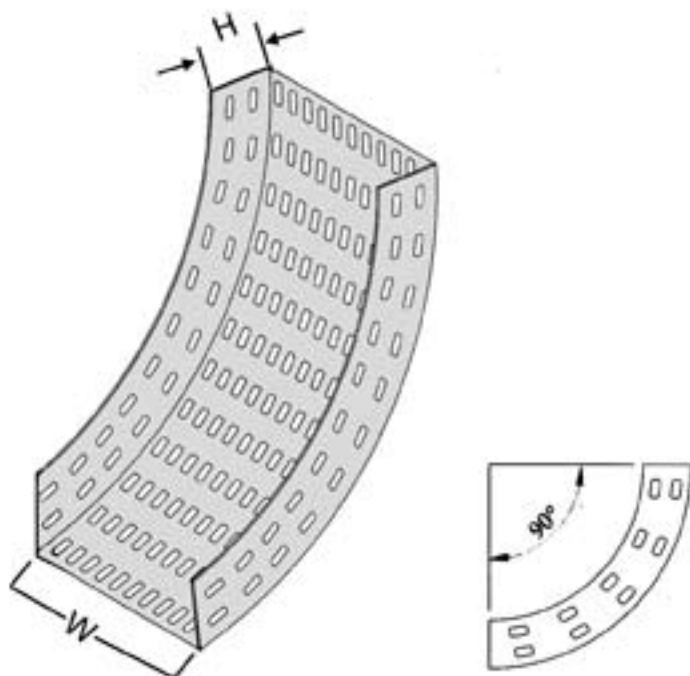
90° OUTSIDE RISER
PART DESCRIPTION: 90OR



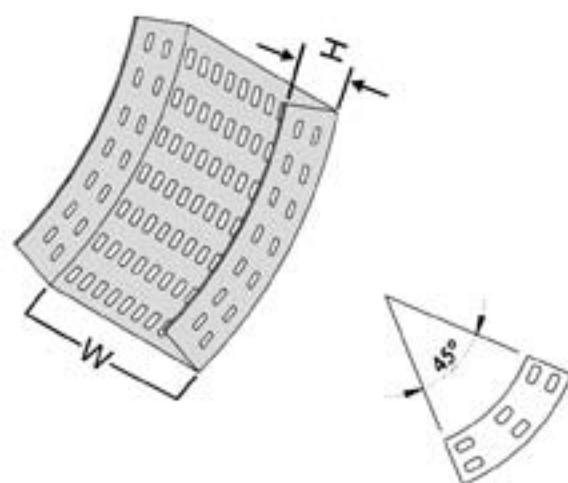
45° OUTSIDE RISER
PART DESCRIPTION: 45OR



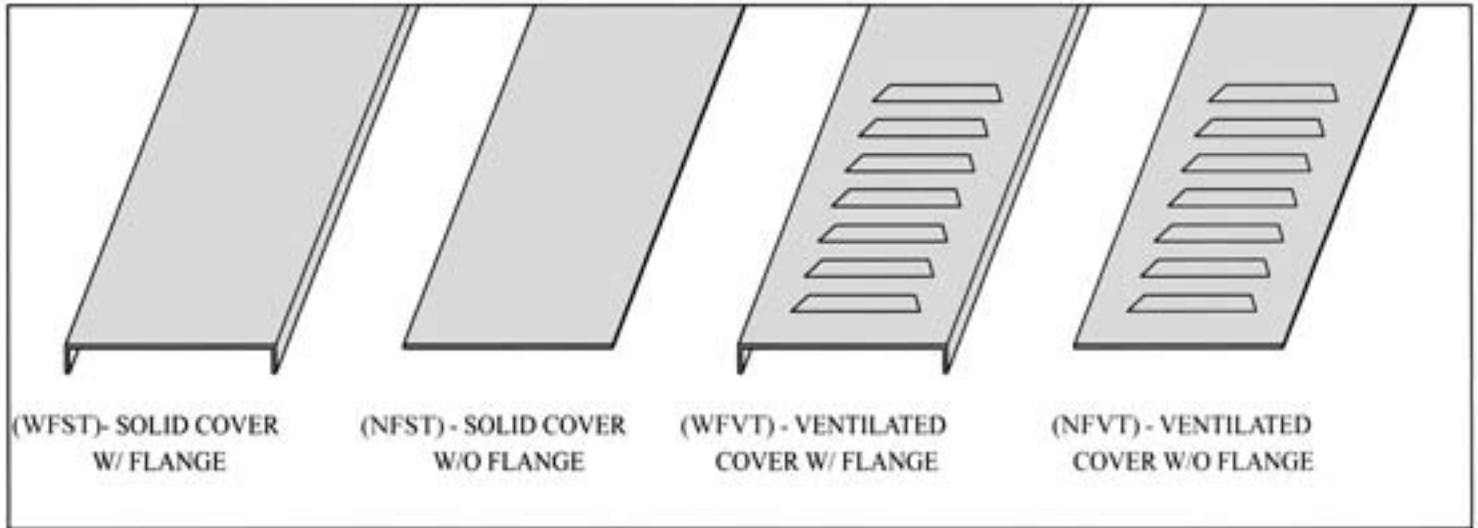
90° INSIDE RISER
PART DESCRIPTION: 90IR



45° INSIDE RISER
PART DESCRIPTION: 45IR



CABLE TRAY COVERS

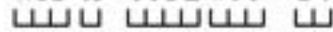


ORDER BY CATALOG NUMBER

STRAIGHT LENGTHS

EXAMPLE :

WFS A - 00SL 100 - 24



- WFS** = SOLID WITH FLANGE TYPE
- A** = MILL GALVANIZED STEEL
- SL** = STRAIGHT LENGTH
- 100** = WIDTH
- 24** = 2.44 METER LENGTH

FITTINGS

EXAMPLE :

100 TF - 90HB 300 - A

100 = FITTING WIDTH

TF = PLAIN TYPE CABLE TRAY

90HB = 90 DEG. HORIZONTAL ELBOW

300 = 300mm RADIUS

A = MILL GALVANIZED STEEL

COVER TYPE	MATERIAL	PART DESCRIPTION
STRAIGHT LENGTHS	A MILL GALVANIZED	00SL - Straight Length
WFST SOLID W/ FLANGE		90HB - 90 Deg. Horizontal Bend
NFST SOLID W/O FLANGE		45HB - 45 Deg. Horizontal Bend
WFVT VENT. W/ FLANGE		90IR - 90 Deg. Inside Riser
		45IR - 45 Deg. Inside Riser
NFVT VENT. W/O FLANGE	90OR - 90 Deg. Outside Riser	
	45OR - 45 Deg. Outside Riser	
	B Hot Dip Galvanized (H.D.G.A.F.)	00TH - Horizontal Tee
	C ALUMINUM	00 TU Horizontal Unequal Tee
		00CH - Horizontal Cross
		00 UC Horizontal Unequal Cross
		0RHR - Right Hand Reducer
		0LHR - Left Hand Reducer
		00SR - Straight Reducer

WIDTH	LENGTH/ RADIUS
50	STRAIGHT LENGTHS
100	
150	
200	
220	24 2.40 Meters
	30 3.00 Meters
300	FITTING RADIUS
350	30
400	300 mm.
500	60 600 mm.
600	┌┌┌┌┐
700	
800	90
900	900 mm.
1000	┌┌┌┌┐

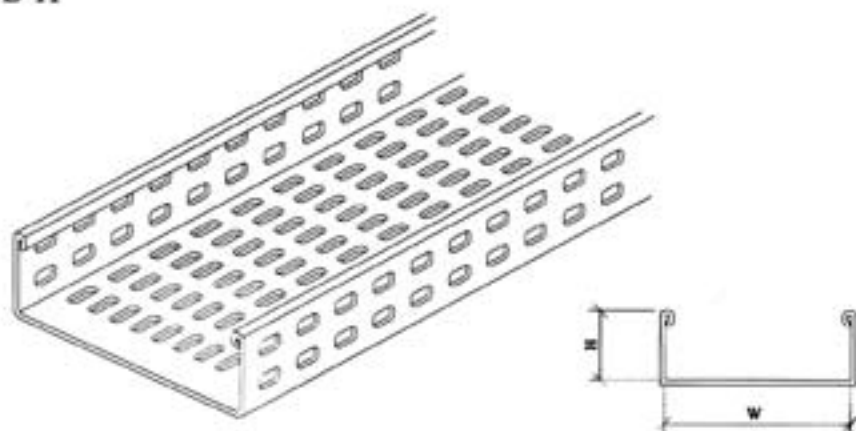
00TU - Horizontal Unequal Tee

00UC - Horizontal Unequal Cross

CABLE TRAY ORDERING GUIDE FRENCH STANDARD



TYPE-TF

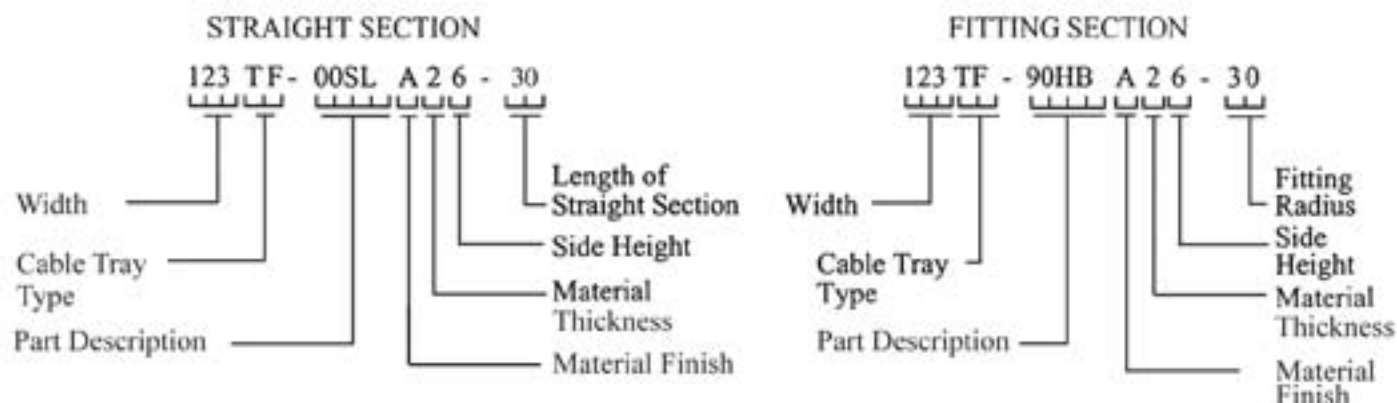


No. 1

ORDERING CHARTS FRENCH STANDARD

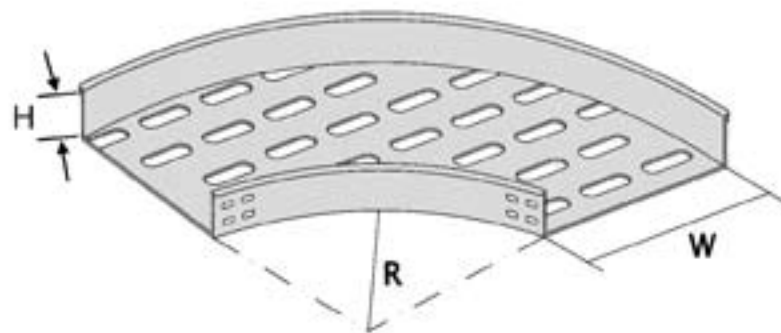
WIDTH (mm)	CABLE TRAY TYPE	PART DESCRIPTION	FRENCH STD.	MATERIAL Finish	THICKNESS	SIDE HEIGHT	LENGTH/ RADIUS
123	TF Inside Return Flange	00SL - Straight Length	A	A Mill Galvanized steel sheet	9 0.9 mm	5 50 mm	STRAIGHT SECTION
220		90HB - 90 Deg. Horizontal Bend	CT 1		1 1.00mm		30 3.00 meters
		45HB - 45 Deg. Horizontal Bend	CT 2				
316		90IR - 90 Deg. Inside Riser	CT 3		2 1.20mm		
		45IR - 45 Deg. Inside Riser	CT 4				
436		90OR - 90 Deg. Outside Riser	CT 5		3 1.50mm		
	45OR - 45 Deg. Outside Riser	CT 6					
495	00TH - Horizontal Tee	G	B Hot Dip Galvanized (H.D.G.A.F.)	7 75 mm	30 300mm		
508	00TU - Horizontal Unequal Tee				CTG1	60 600mm	
	00CH - Horizontal Cross						CTG2
600	00UC - Horizontal Unequal Cross				CTG3	10 100mm	90 900mm
	0RHR - Right Hand Reducer				CTG4		
	0LHR - Left Hand Reducer				CTG5		
	00SR - Straight Reducer	CTG6					

PART NUMBERING SYSTEM

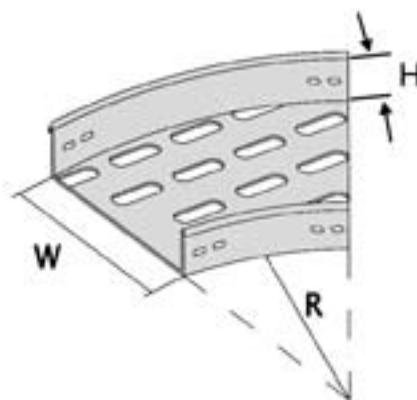




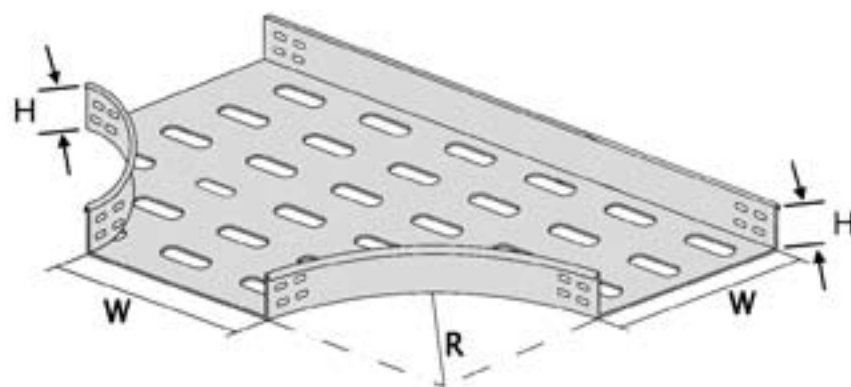
90° HORIZONTAL ELBOW
PART DESCRIPTION: 90HB



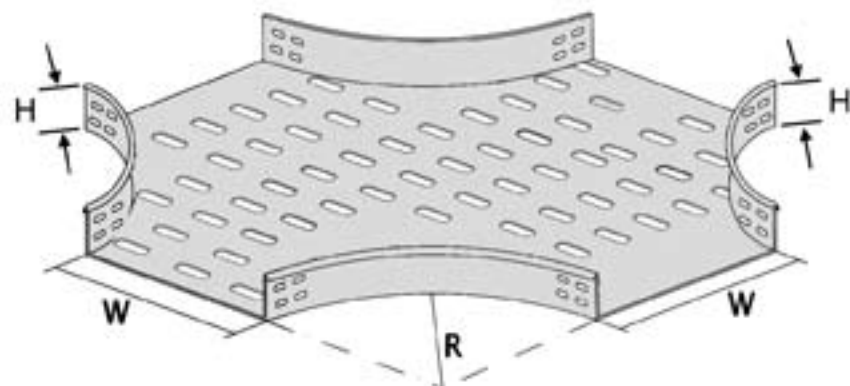
45° HORIZONTAL ELBOW
PART DESCRIPTION: 45HB



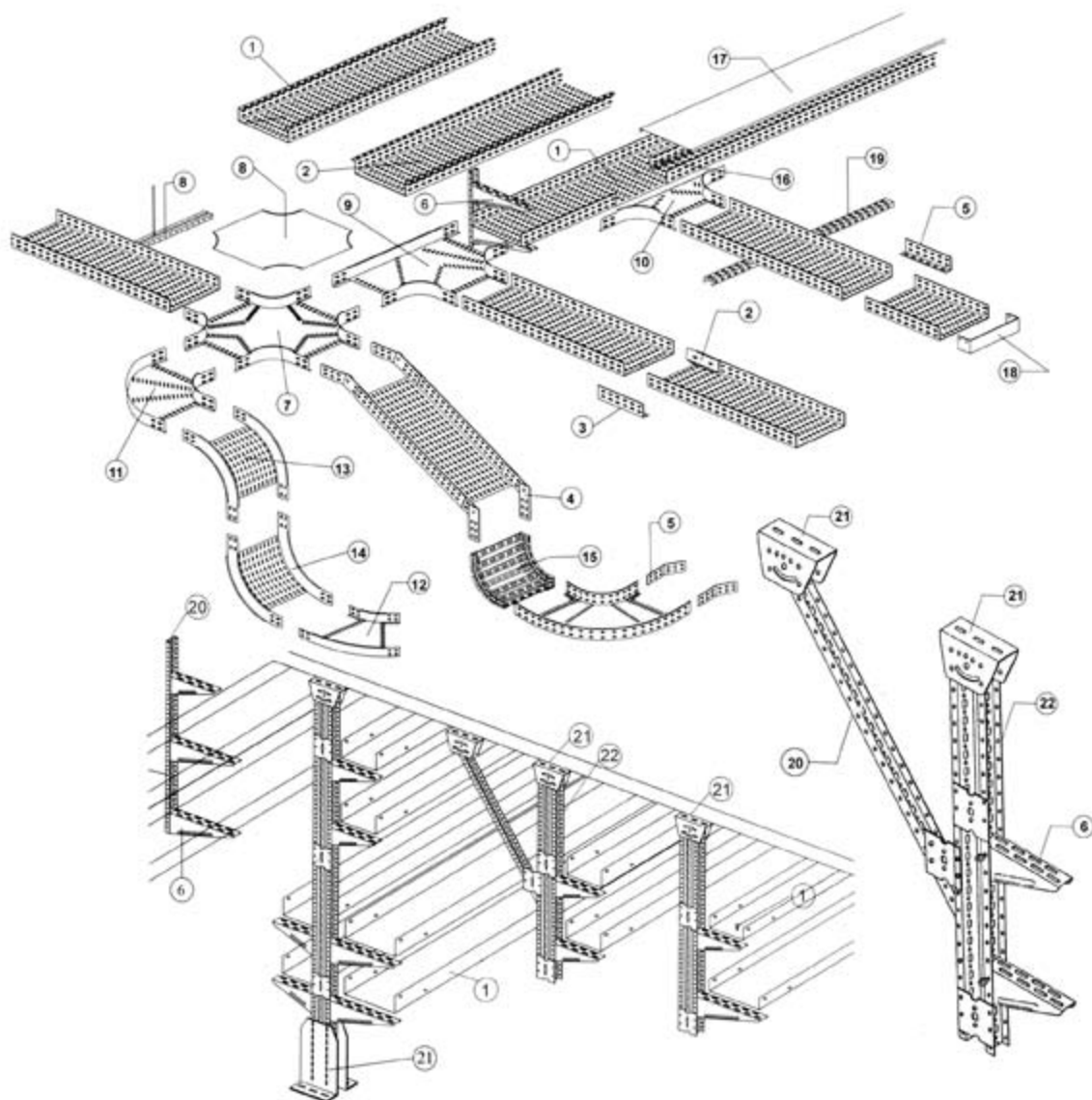
HORIZONTAL Tee
PART DESCRIPTION: 00TH



HORIZONTAL CROSS
PART DESCRIPTION: 00CH



PRODUCT RANGE CABLE TRAY SYSTEM FRENCH STANDARD



- 1 - TYPE-TF CABLE TRAY
- 2 - CLIP-ON-COUPLER
- 3 - CORNERED SPLICE PLATE
- 4 - HINGED SPLICE PLATE
- 5 - BENDABLE SPLICE PLATE
- 6 - CONSOLES BRACKETS
- 7 - CROSS
- 8 - COVERS FOR CONNECTING UNITS

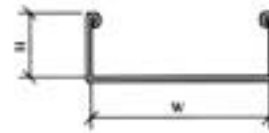
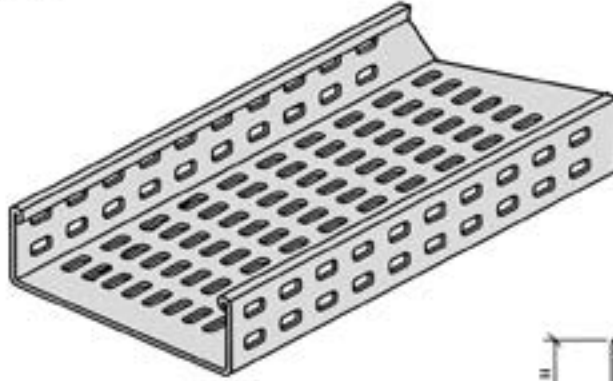
- 9 - Tee
- 10 - TAKE OFF
- 11 - 90° BEND
- 12 - 135° BEND
- 13 - 90° OUTSIDE BEND
- 14 - 90° INSIDE BEND
- 15 - SIMPLIFIED CONNECTING UNITS
- 16 - DIVIDER

- 17 - COVER
- 18 - END PLATE
- 19 - PERFORATED PROFILES
- 20 - MOUNTING CHANNEL
- 21 - DOUBLE GOUSSET
- 22 - DOUBLE CHANNEL

CABLE TRAY ORDERING GUIDE

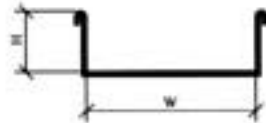
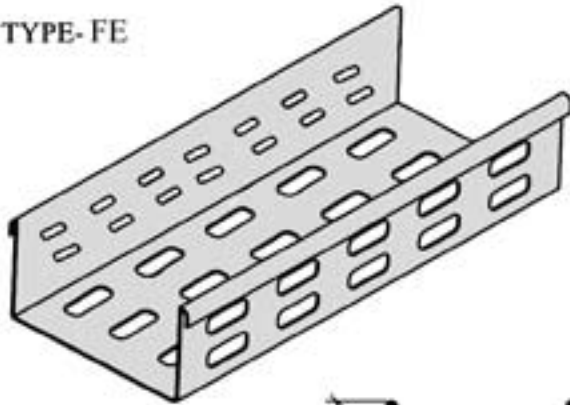


TYPE-TF



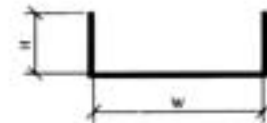
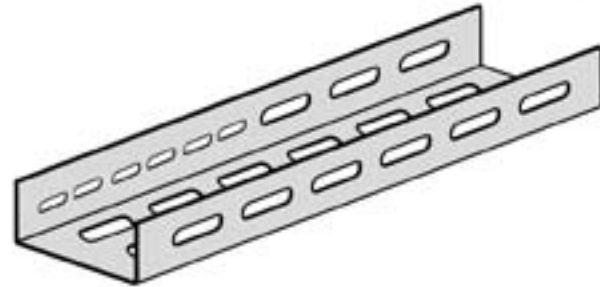
No. 1

TYPE-FE



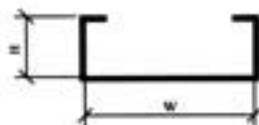
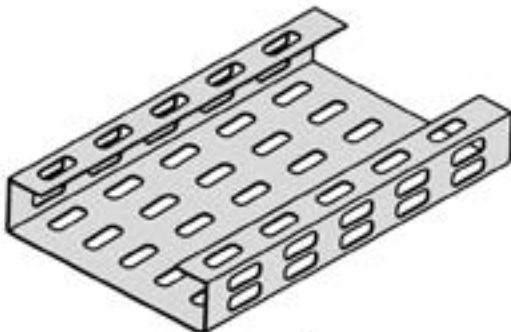
No. 2

TYPE LE



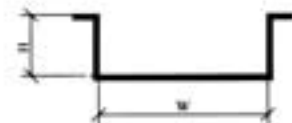
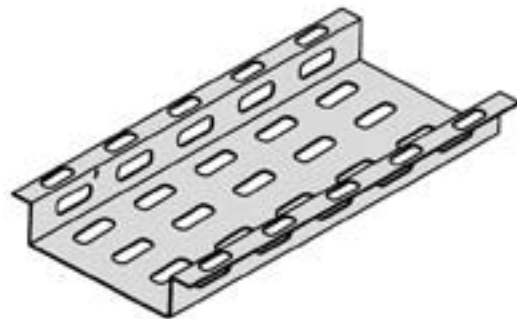
No. 3

TYPE-CE



No. 4

TYPE-ME

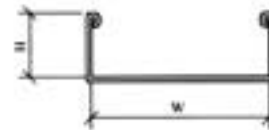
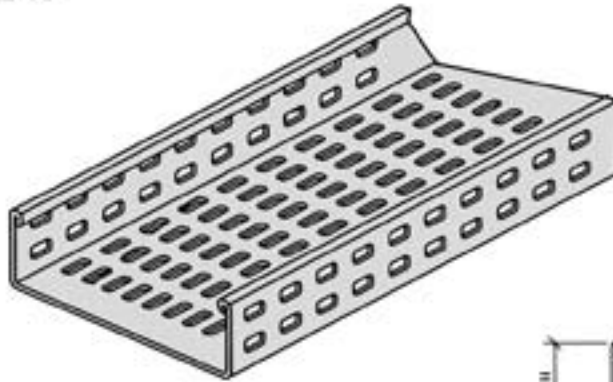


No. 5

CABLE TRAY ORDERING GUIDE

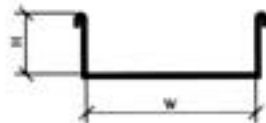
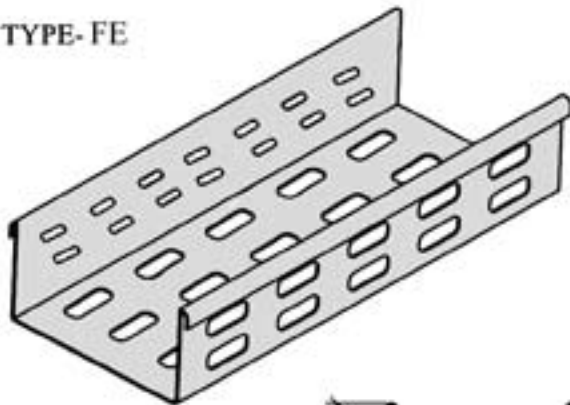


TYPE-TF



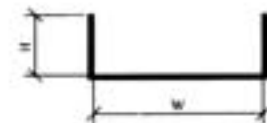
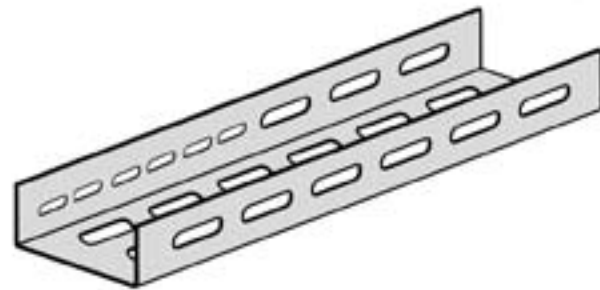
No. 1

TYPE-FE



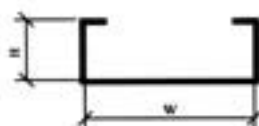
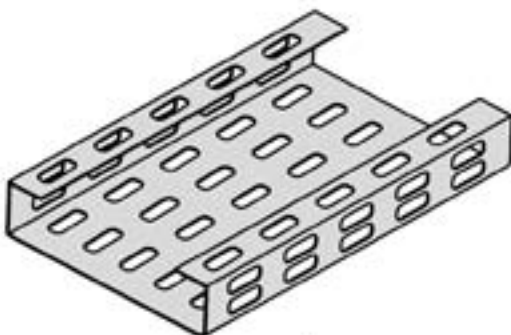
No. 2

TYPE LE



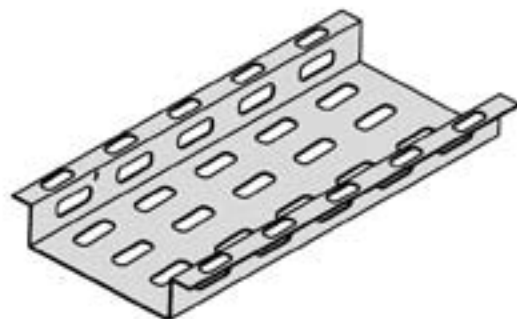
No. 3

TYPE-CE



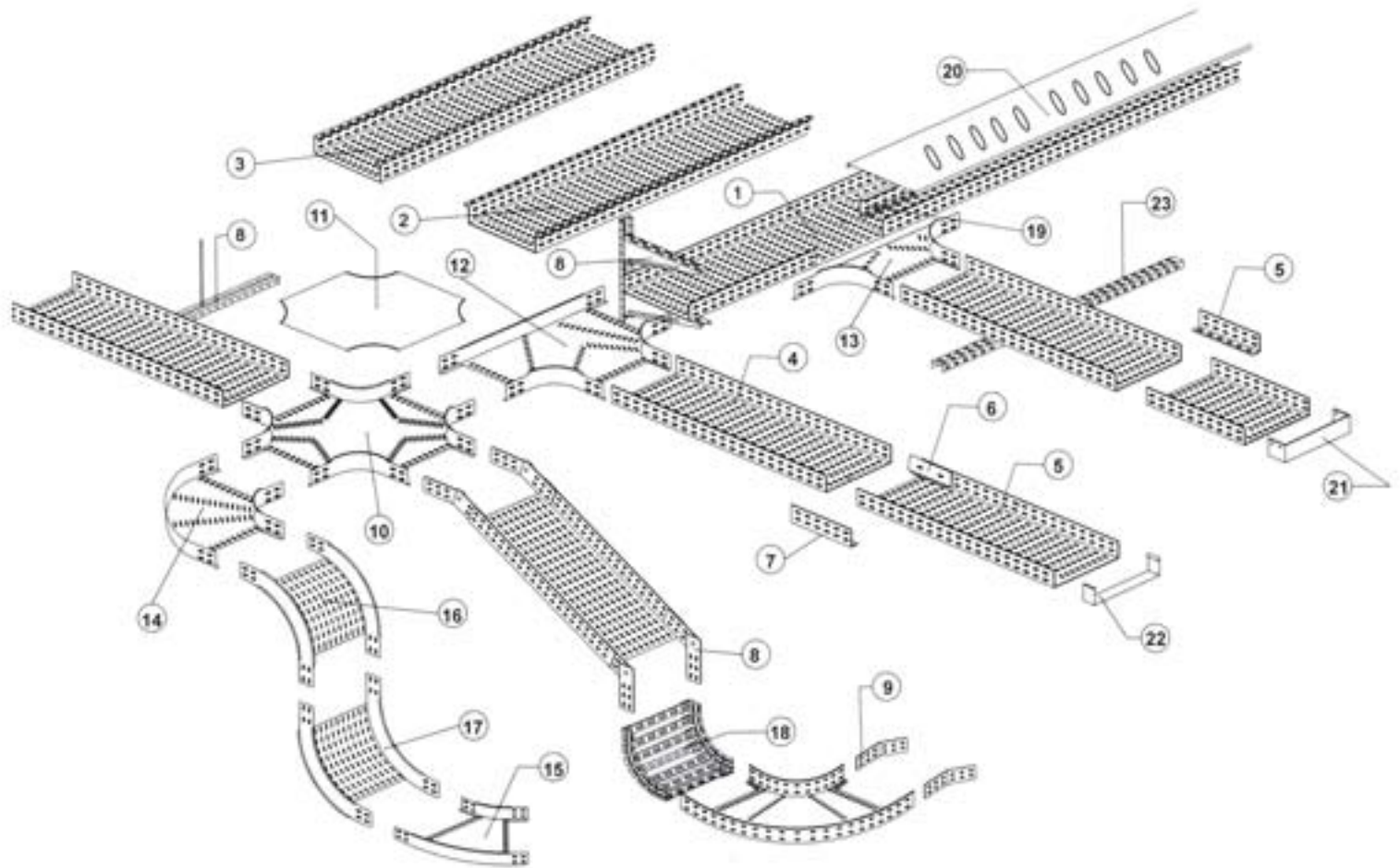
No. 4

TYPE-ME



No. 5

PRODUCT RANGE CABLE TRAY SYSTEM

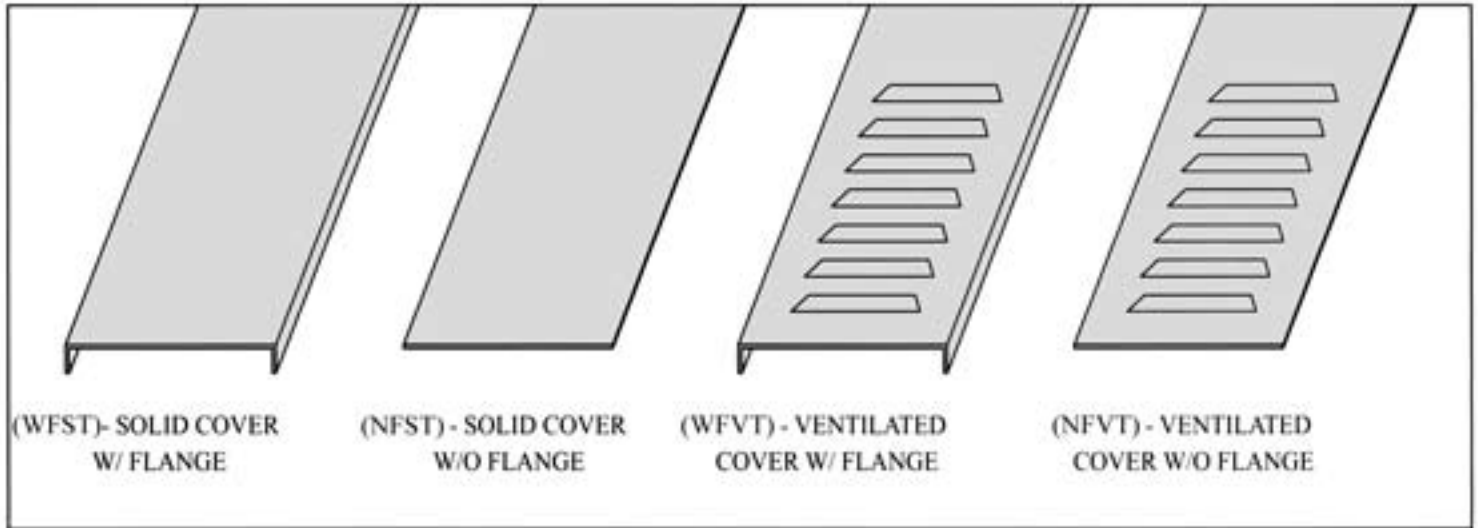


- 1 - TYPE-TF CABLE TRAY
- 2 - TYPE-FE CABLE TRAY
- 3 - TYPE-LE CABLE TRAY
- 4 - TYPE - CE CABLE TRAY
- 5 - TYPE - ME CABLE TRAY
- 6 - CLIP-ON-COUPLER
- 7 - CORNERED SPLICE PLATE
- 8 - HINGED SPLICE PLATE
- 9 - BENDABLE SPLICE PLATE

- 10 - CROSS
- 11 - COVERS FOR CONNECTING UNITS
- 12 - Tee
- 13 - TAKE OFF
- 14 - 90° BEND
- 15 - 135° BEND
- 16 - 90° OUTSIDE BEND
- 17 - 90° INSIDE BEND

- 18 - SIMPLIFIED CONNECTING UNITS
- 19 - DIVIDER
- 20 - COVER / WFV
- 21 - END PLATE
- 22 - END CAP
- 23 - PERFORATED PROFILES

CABLE TRAY COVERS

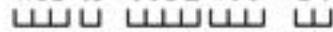


ORDER BY CATALOG NUMBER

STRAIGHT LENGTHS

EXAMPLE :

WFS A - 00SL 100 - 24



- WFS** = SOLID WITH FLANGE TYPE
- A** = MILL GALVANIZED STEEL
- SL** = STRAIGHT LENGTH
- 100** = WIDTH
- 24** = 2.44 METER LENGTH

FITTINGS

EXAMPLE :

100 TF - 90HB 300 - A

100 = FITTING WIDTH

TF = PLAIN TYPE CABLE TRAY

90HB = 90 DEG. HORIZONTAL ELBOW

300 = 300mm RADIUS

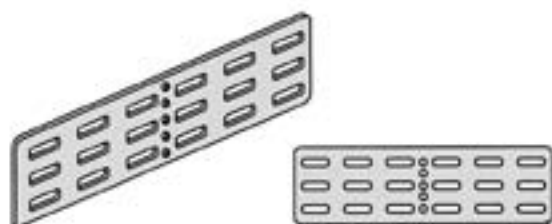
A = MILL GALVANIZED STEEL

COVER TYPE	MATERIAL	PART DESCRIPTION
STRAIGHT LENGTHS	A MILL GALVANIZED	00SL - Straight Length
WFST SOLID W/ FLANGE		90HB - 90 Deg. Horizontal Bend
NFST SOLID W/O FLANGE		45HB - 45 Deg. Horizontal Bend
WFVT VENT. W/ FLANGE		90IR - 90 Deg. Inside Riser
NFVT VENT. W/O FLANGE		45IR - 45 Deg. Inside Riser
	B Hot Dip Galvanized (H.D.G.A.F.)	90OR - 90 Deg. Outside Riser
		45OR - 45 Deg. Outside Riser
		00TH - Horizontal Tee
		00 TU Horizontal Unequal Tee
		00CH - Horizontal Cross
	C ALUMINUM	00 UC Horizontal Unequal Cross
		0RHR - Right Hand Reducer
		0LHR - Left Hand Reducer
		00SR - Straight Reducer

WIDTH	LENGTH/ RADIUS
50	STRAIGHT LENGTHS
100	
150	
200	
220	24 2.40 Meters
	30 3.00 Meters
300	
	FITTING RADIUS
350	30 300 mm.
400	
500	60 600 mm.
600	
700	90 900 mm.
800	
900	
1000	

00TU - Horizontal Unequal Tee

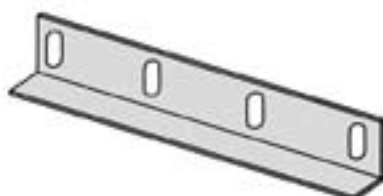
00UC - Horizontal Unequal Cross



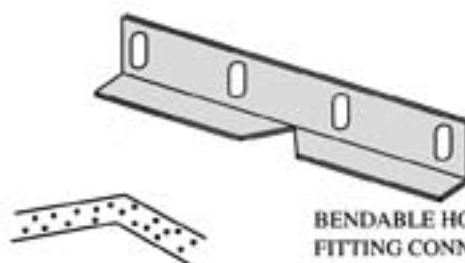
BENDABLE SPLICE PLATE
Part Reference : BSP : 2



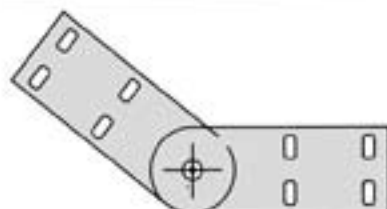
STANDARD CONNECTORS
50 x 50 x 260 mm
75 x 50 x 260 mm
25 x 50 x 260 mm
Part Reference : S.C.1



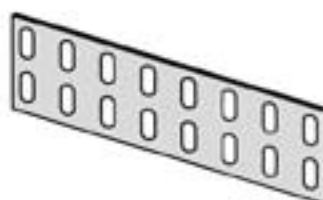
HORIZONTAL FITTING CONNECTOR
Side Height: 30mm & 60mm
Part Reference: HFC 4



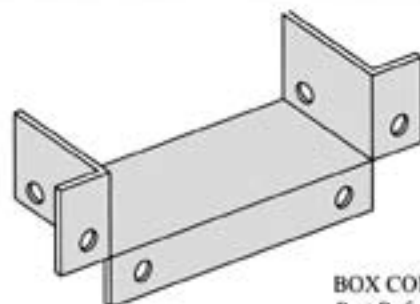
BENDABLE HORIZONTAL FITTING CONNECTOR
Part Reference : BHFC 3



VERTICAL ADJUSTABLE CONNECTOR
Part Reference : VAC 6



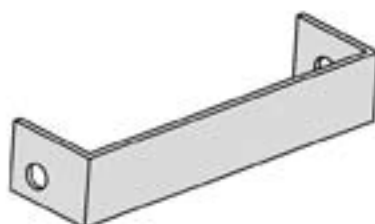
STANDARD FLAT CONNECTOR
Side Height: 30 to 100 mm
Part Reference : SFC 5



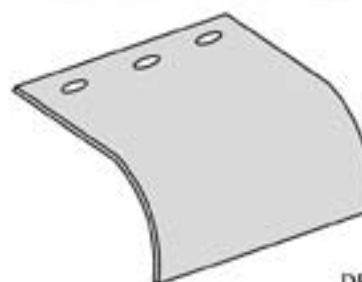
BOX CONNECTOR
Part Reference : BC 8



GROUND BONDING JUMPER
Part Reference : GBJ 7



BLIND END
Part Reference : BEU



DROP OUT
Part Reference : DO 9