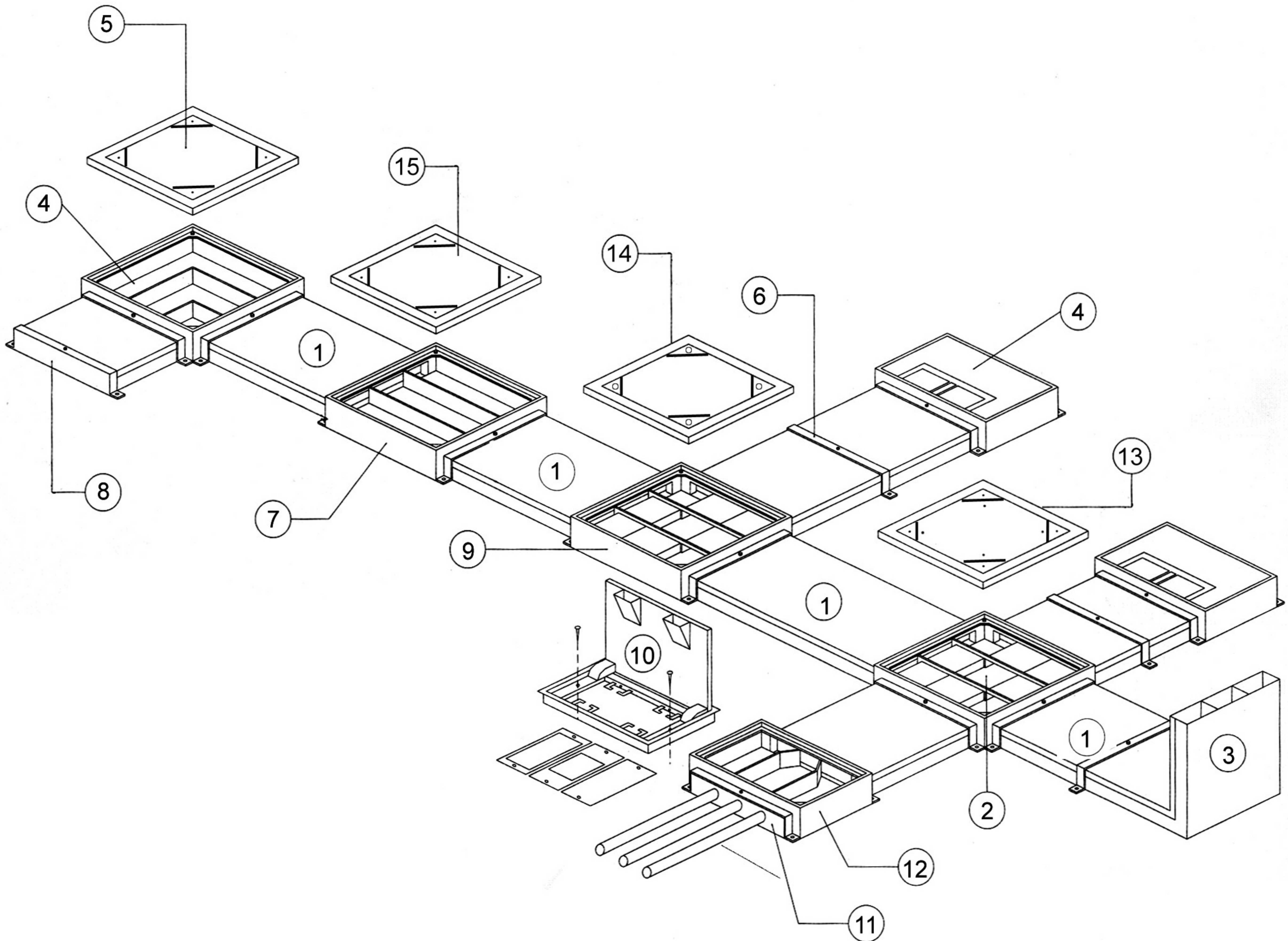
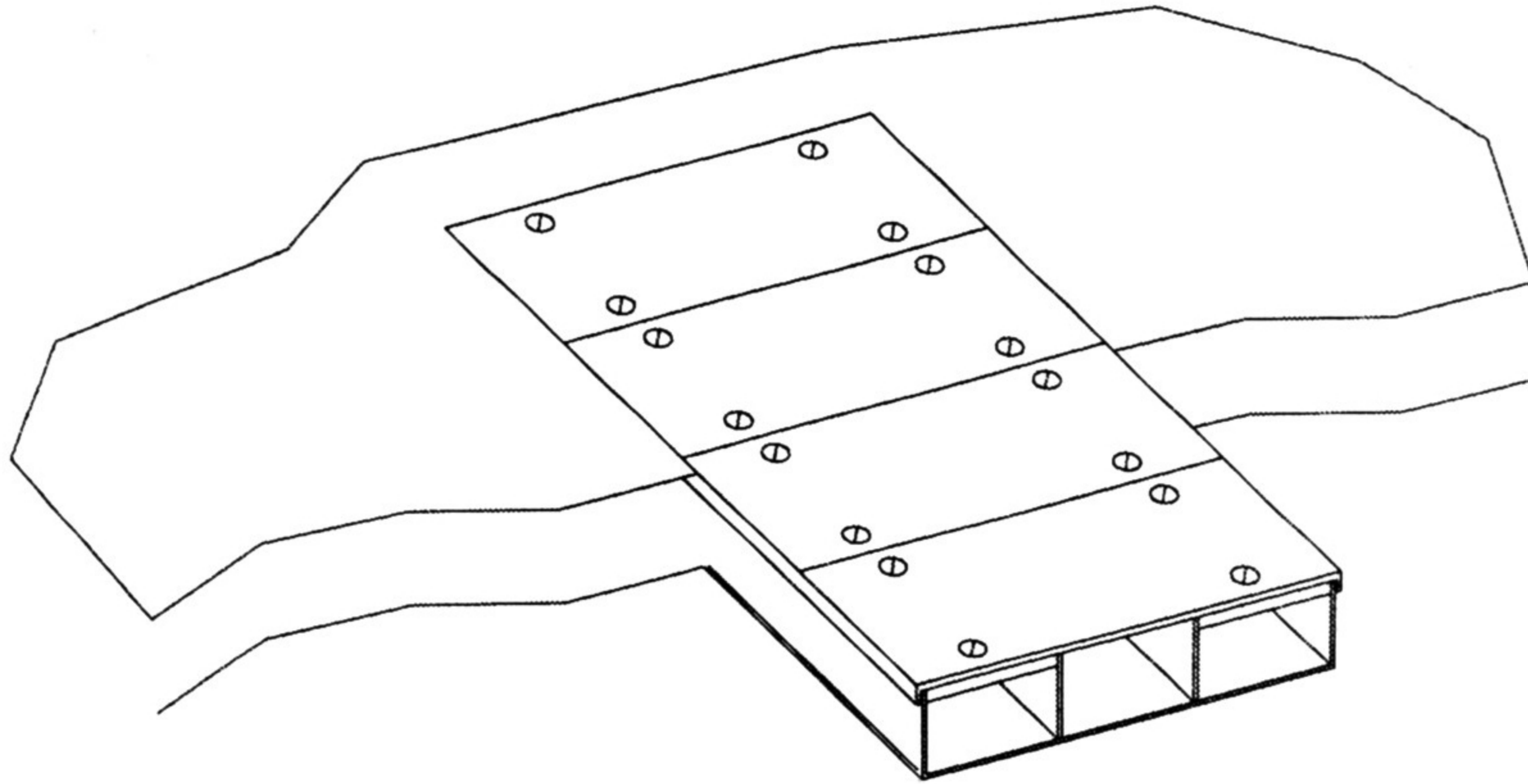


PROUDCT - RANGE UNDER FLOOR TRUNKING



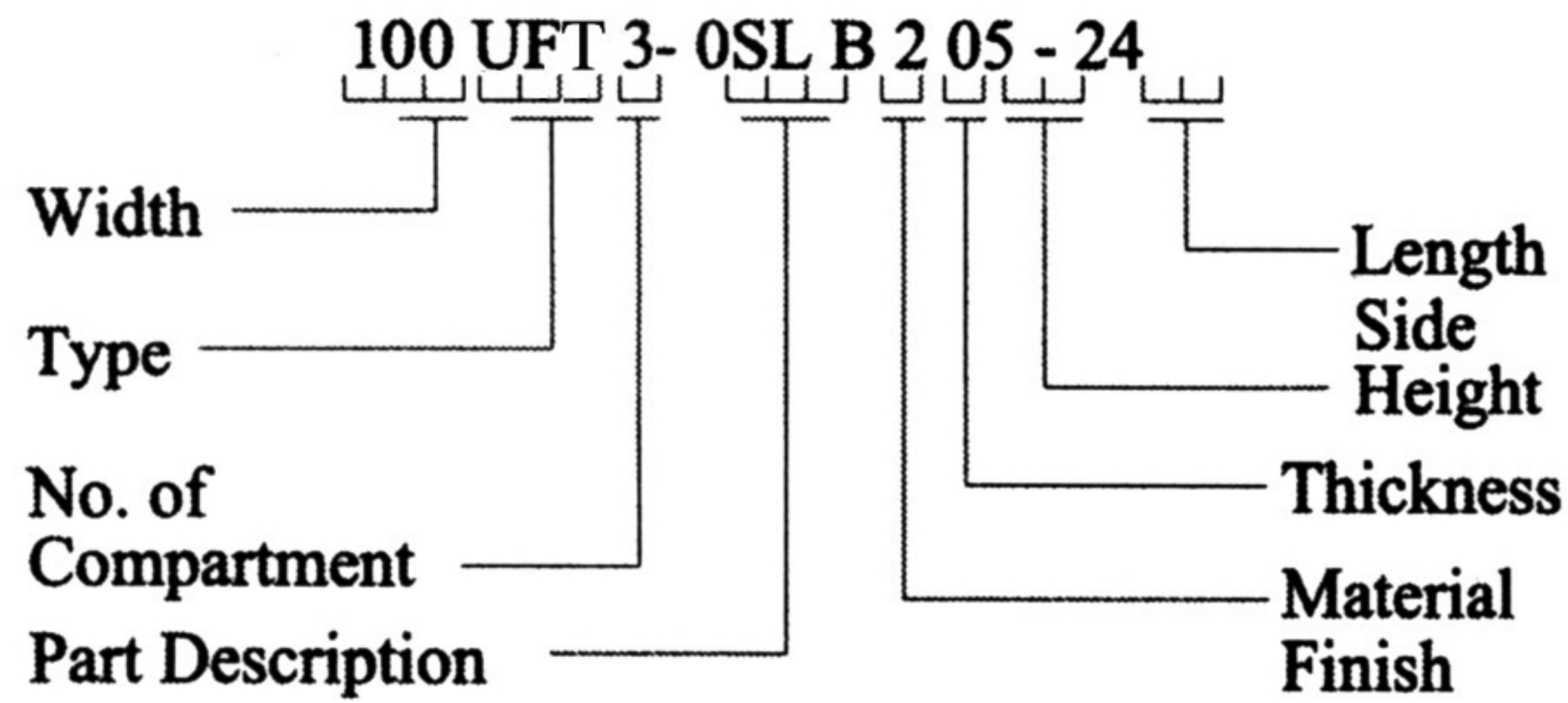
NO	CODE	PRODUCT	NO	CODE	PRODUCT
1	UFT-1	METAL TRUNKING	8	SE-8	STOP END
2	4WJB-2	4-WAY JUNCTION BOX	9	3WJB-9	3-WAY JUNCTION BOX
3	90RB3	90° RISER BEND	10	HLA-10	HINGED LID ASSEMBLY
4	90JB-4	90° ANGLE JUNCTION BOX	11	CC-11	CONDUIT CONNECTOR
5	JBC-5	JUNCTION BOX COVER	12	SOB-12	SERVICE OUTLET BOX
6	JFC-6	JOINT/FIX CONNECTOR	13	SOBW-13	SERVICE OUTLET BOX W/COVER
7	2WJB-7	2-WAY JUNCTION BOX	14	3W JBC 14	3-Way Junction Box Cover
			15	2W JBC 15	3-Way Junction Box Cover

TRUNKING ORDERING CHART

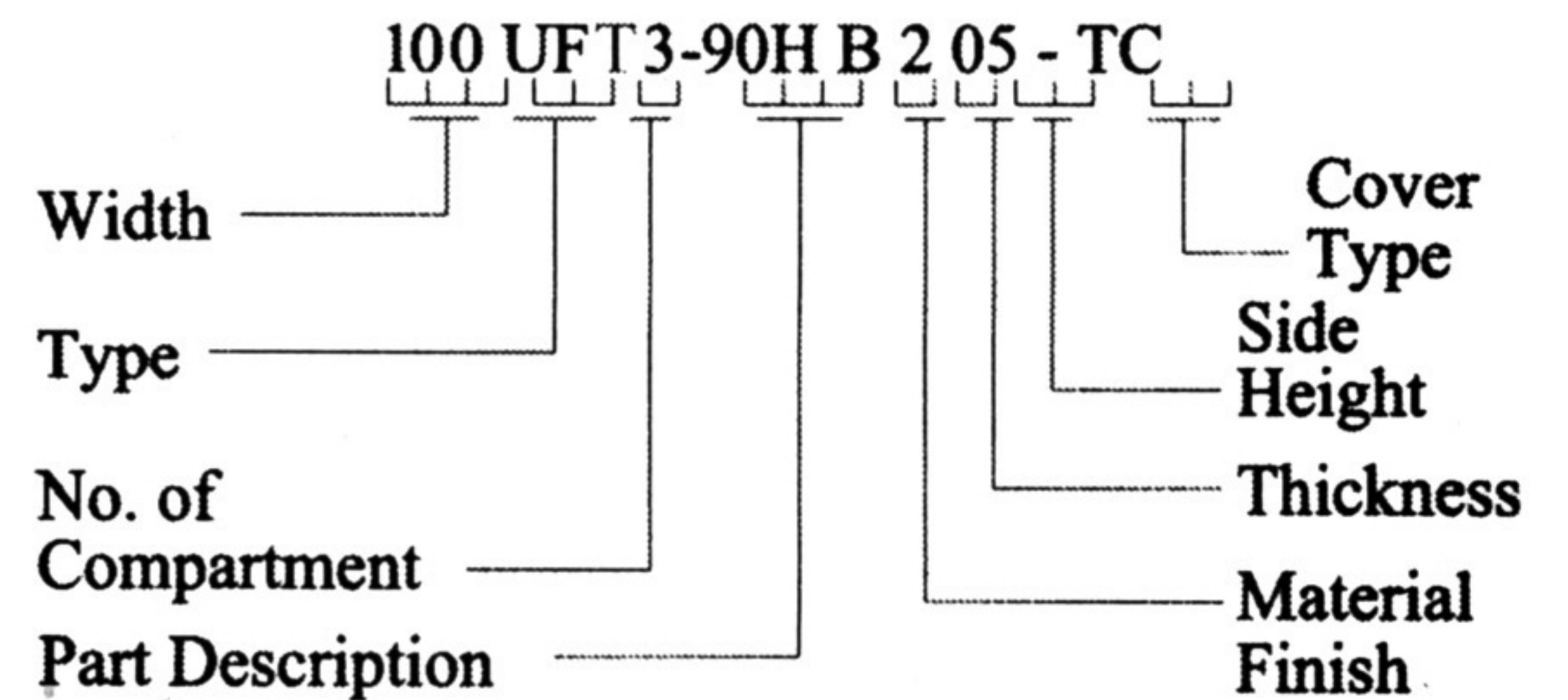


3- COMPARTMENT

STRAIGHT SECTION



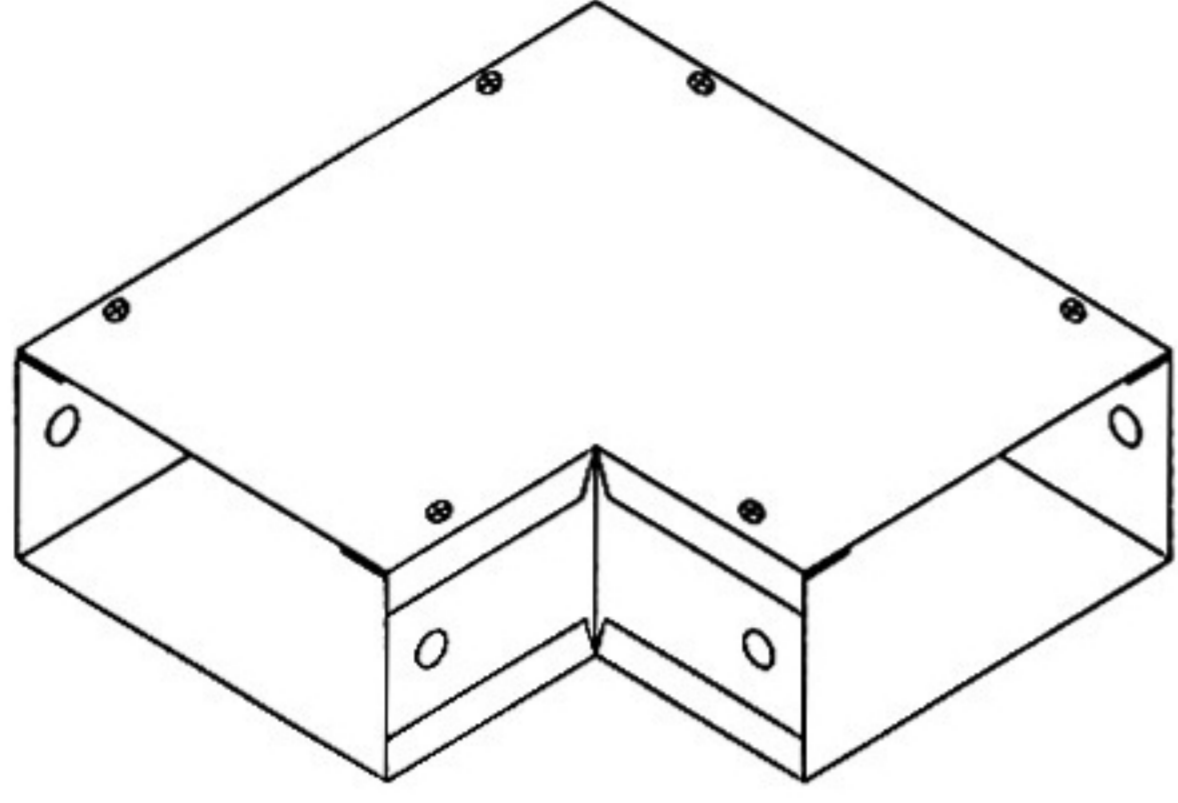
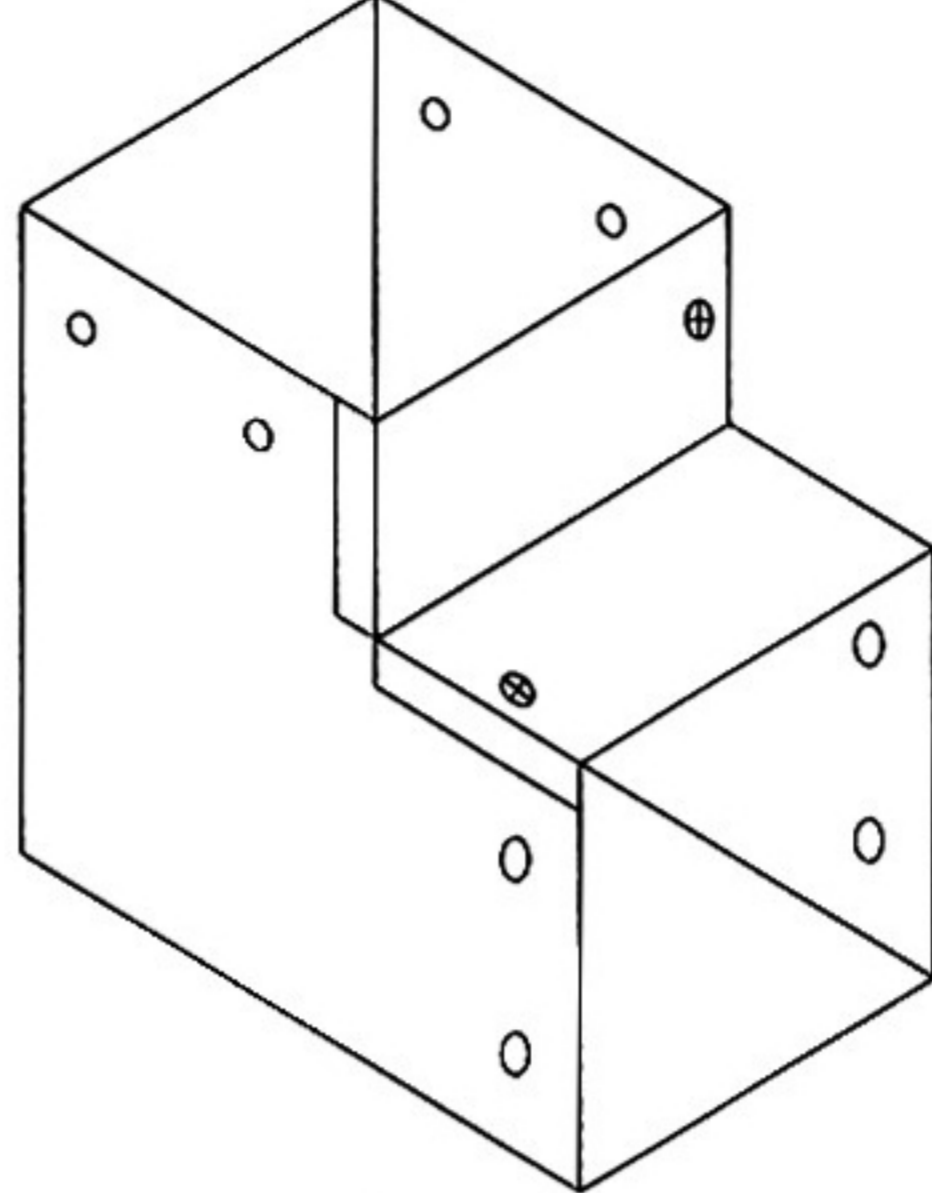
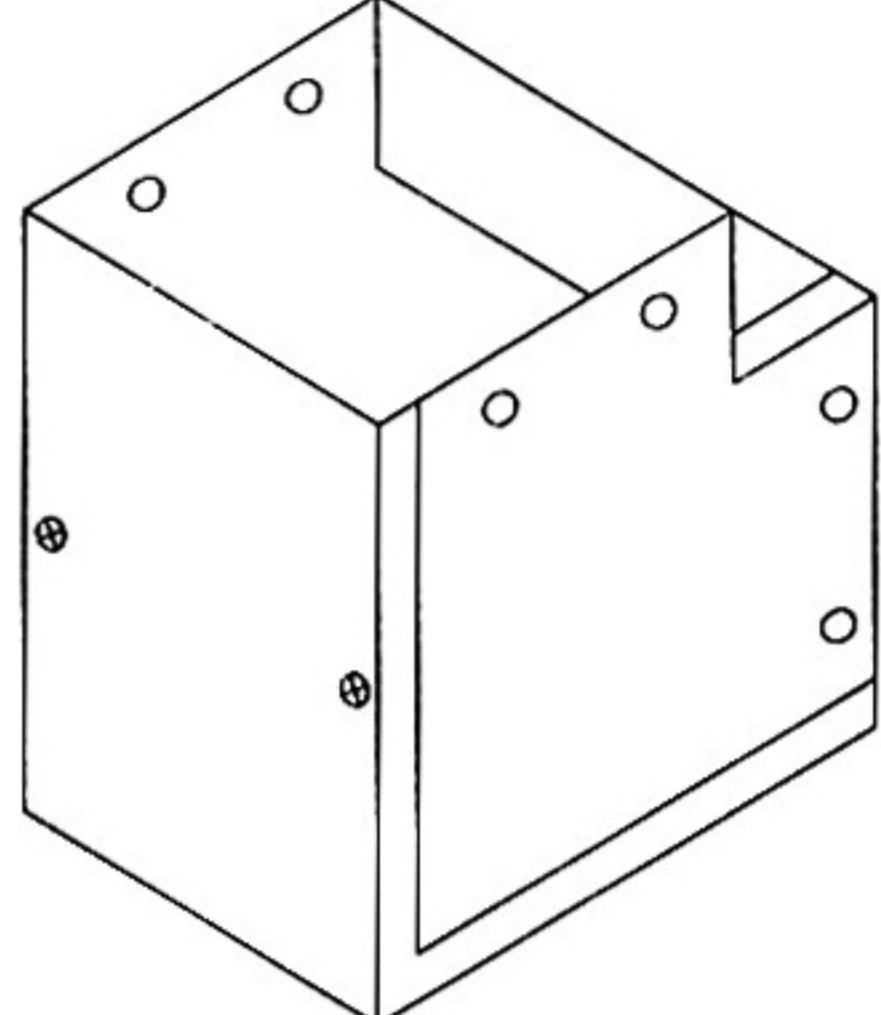
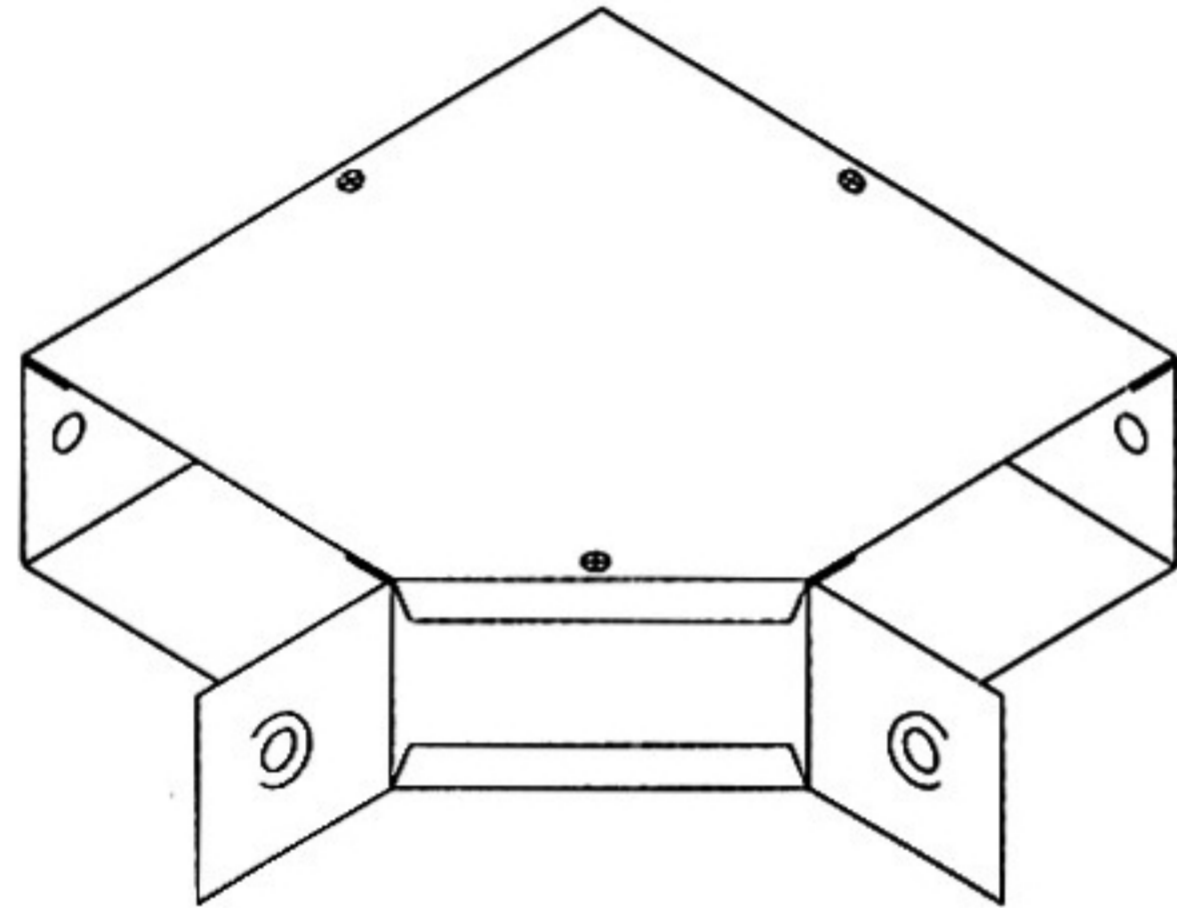
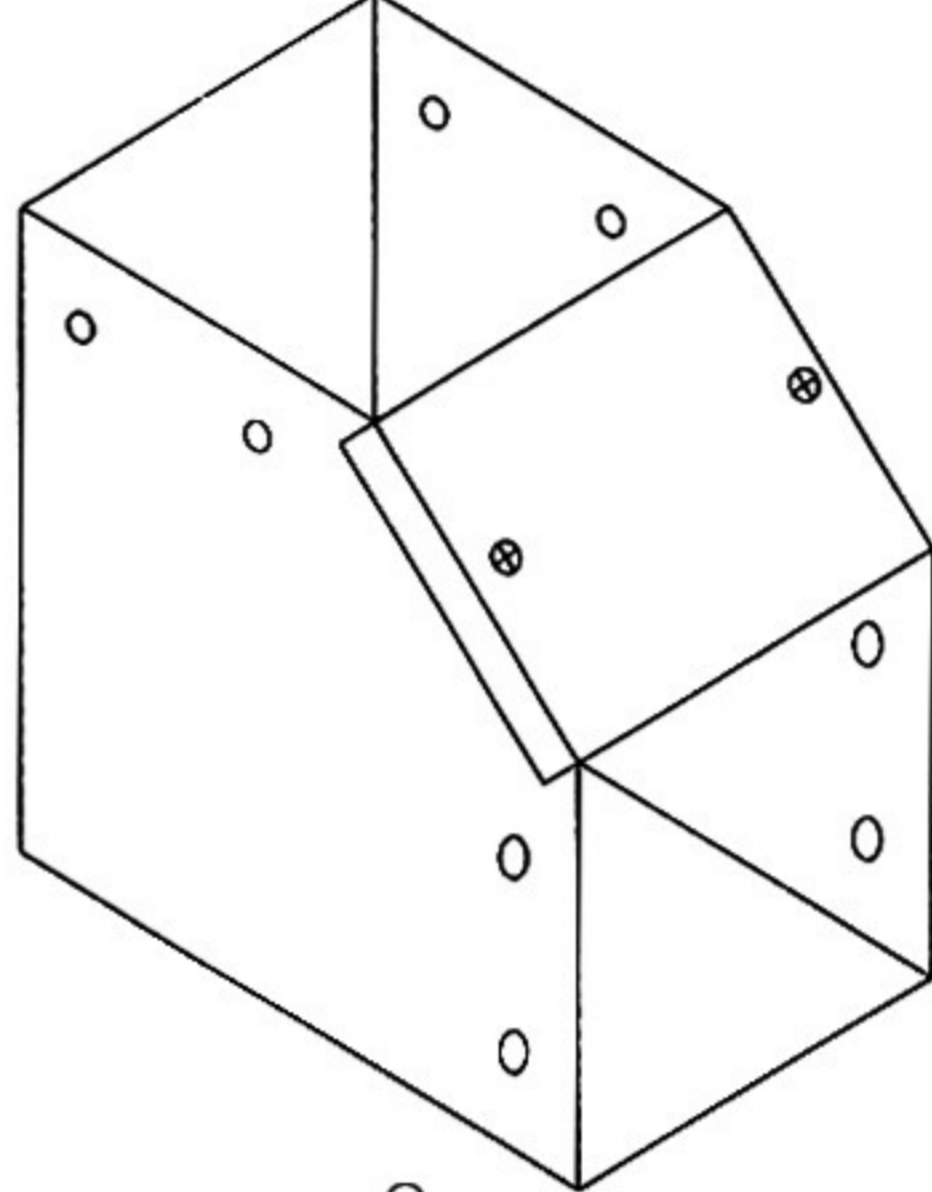
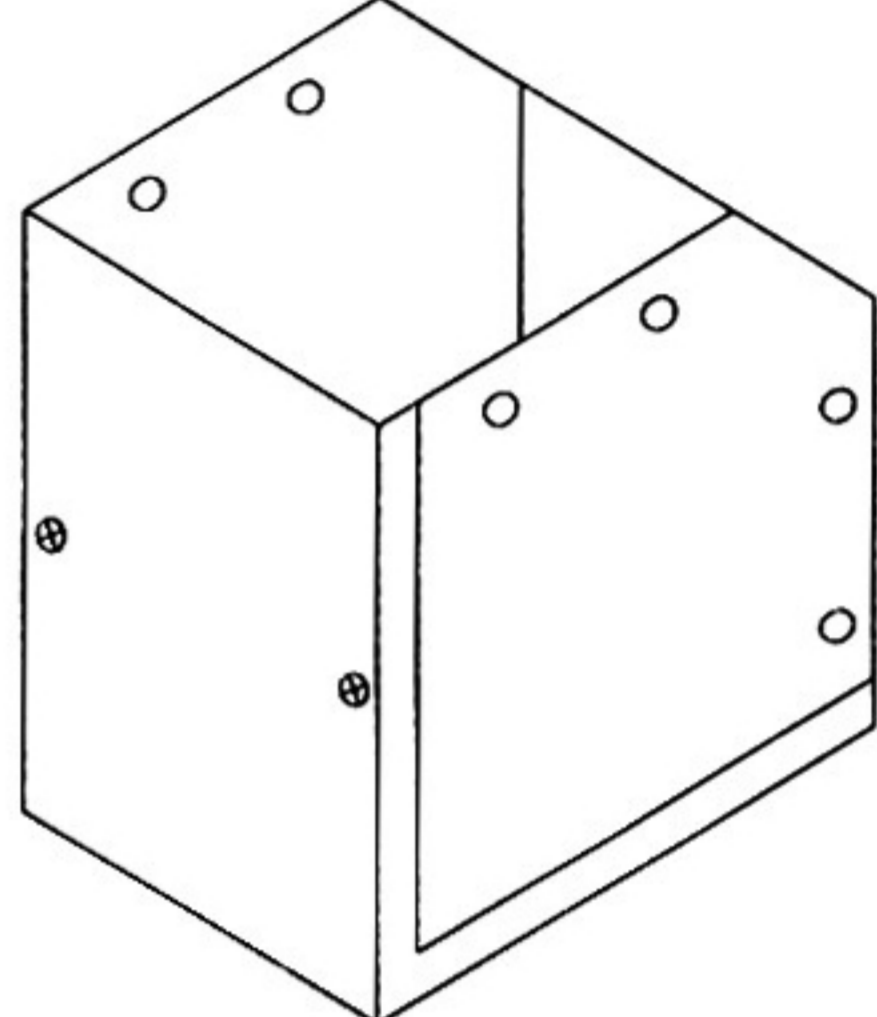
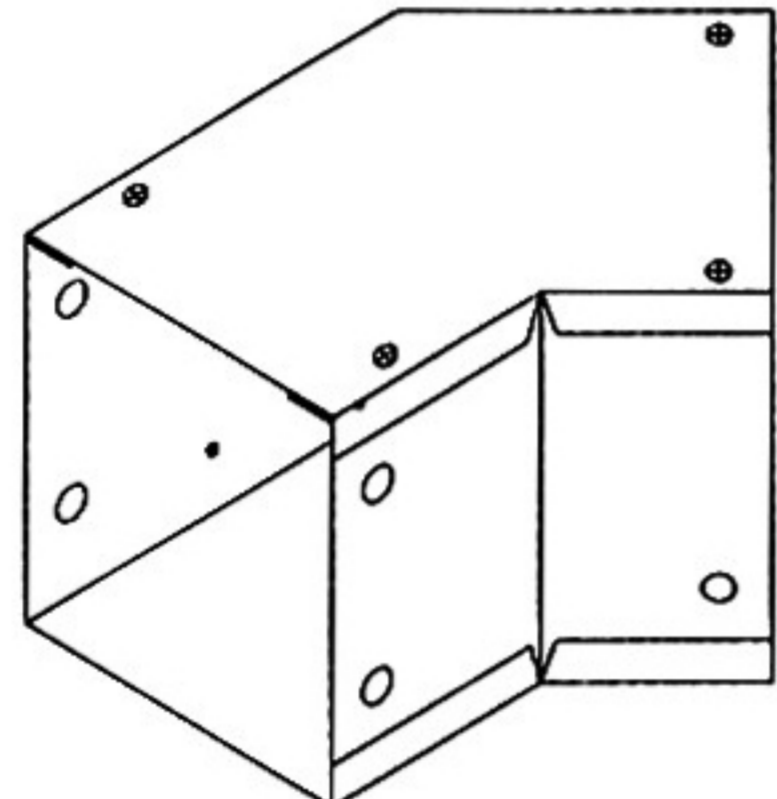
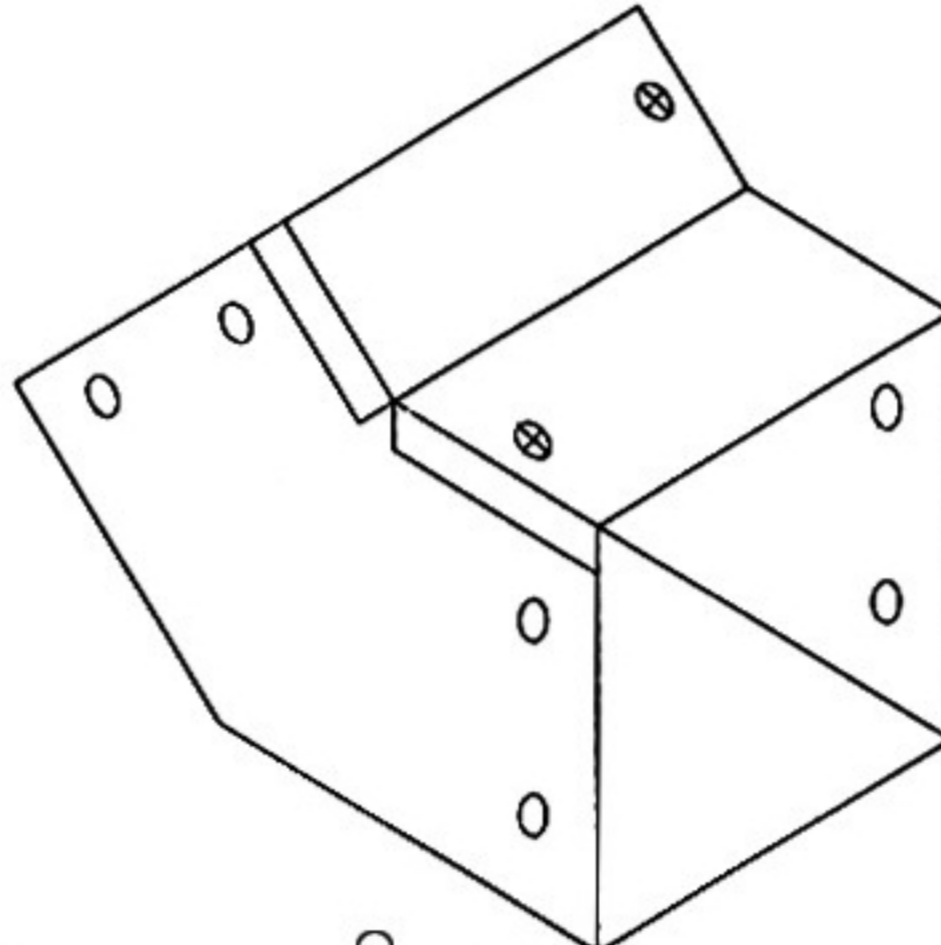
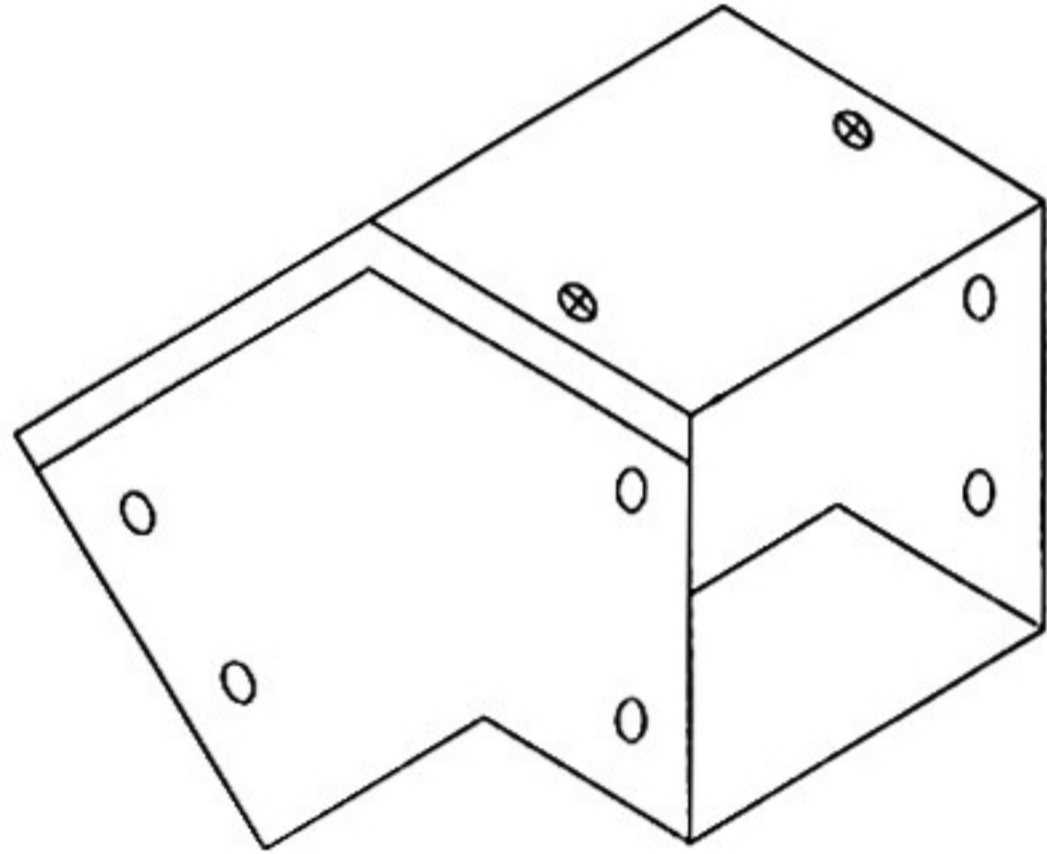
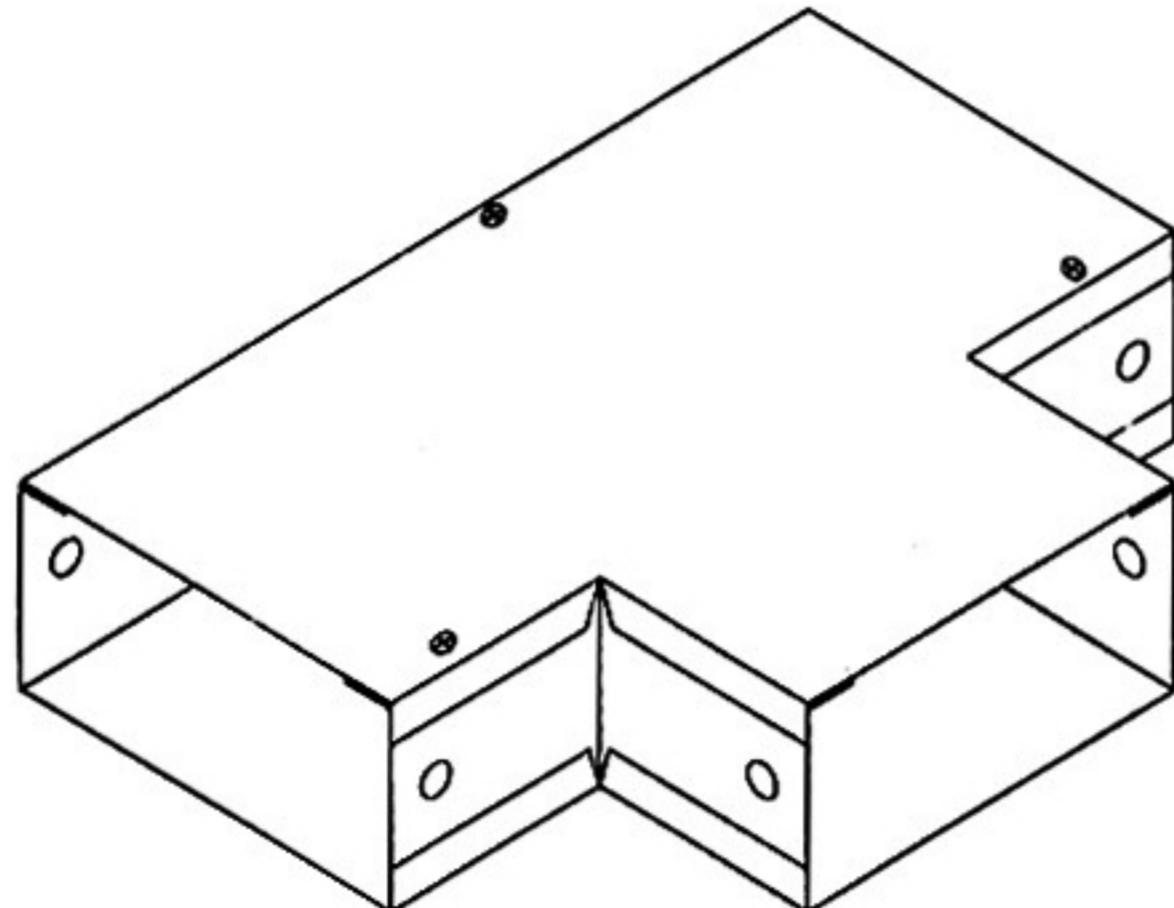
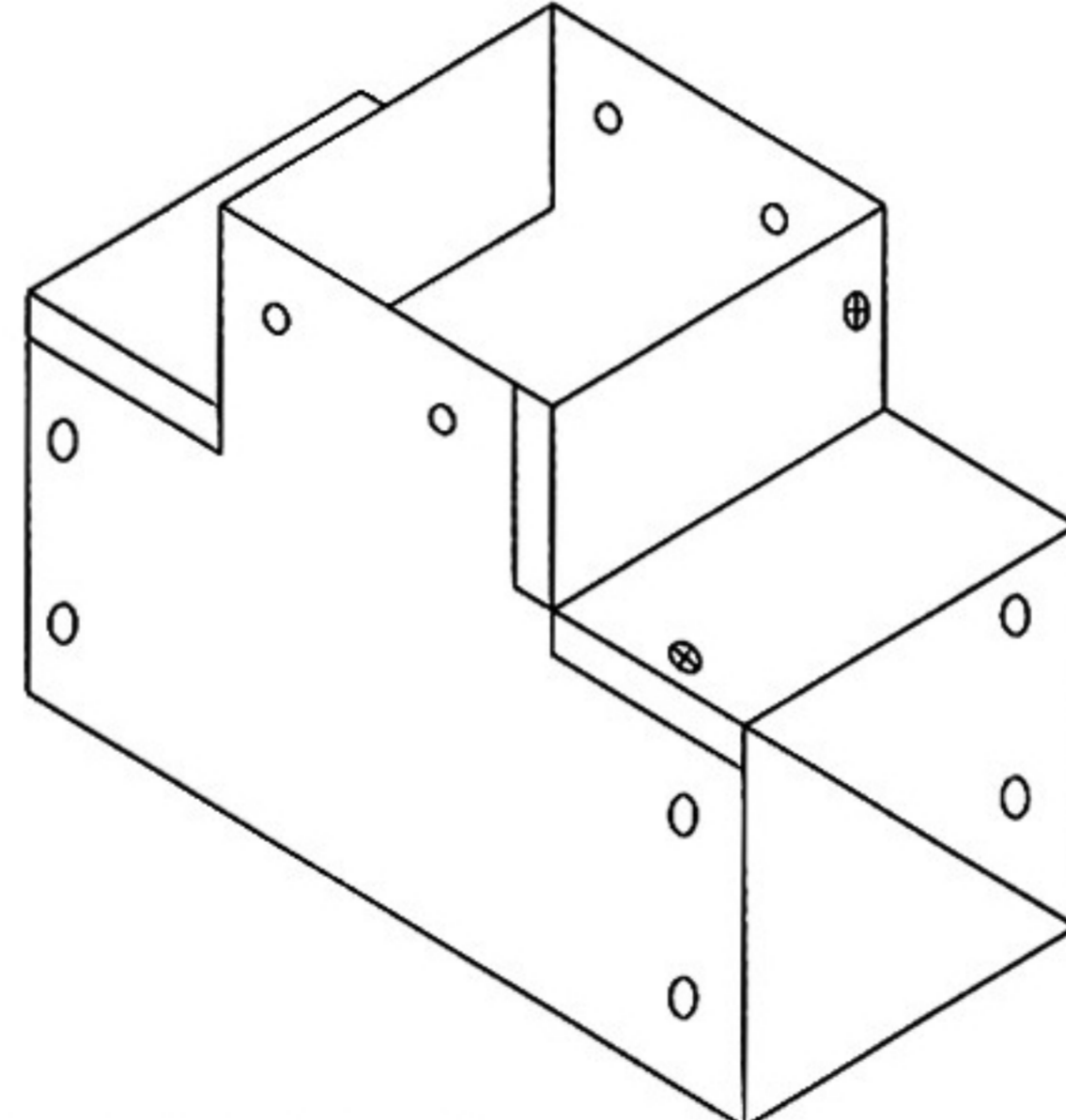
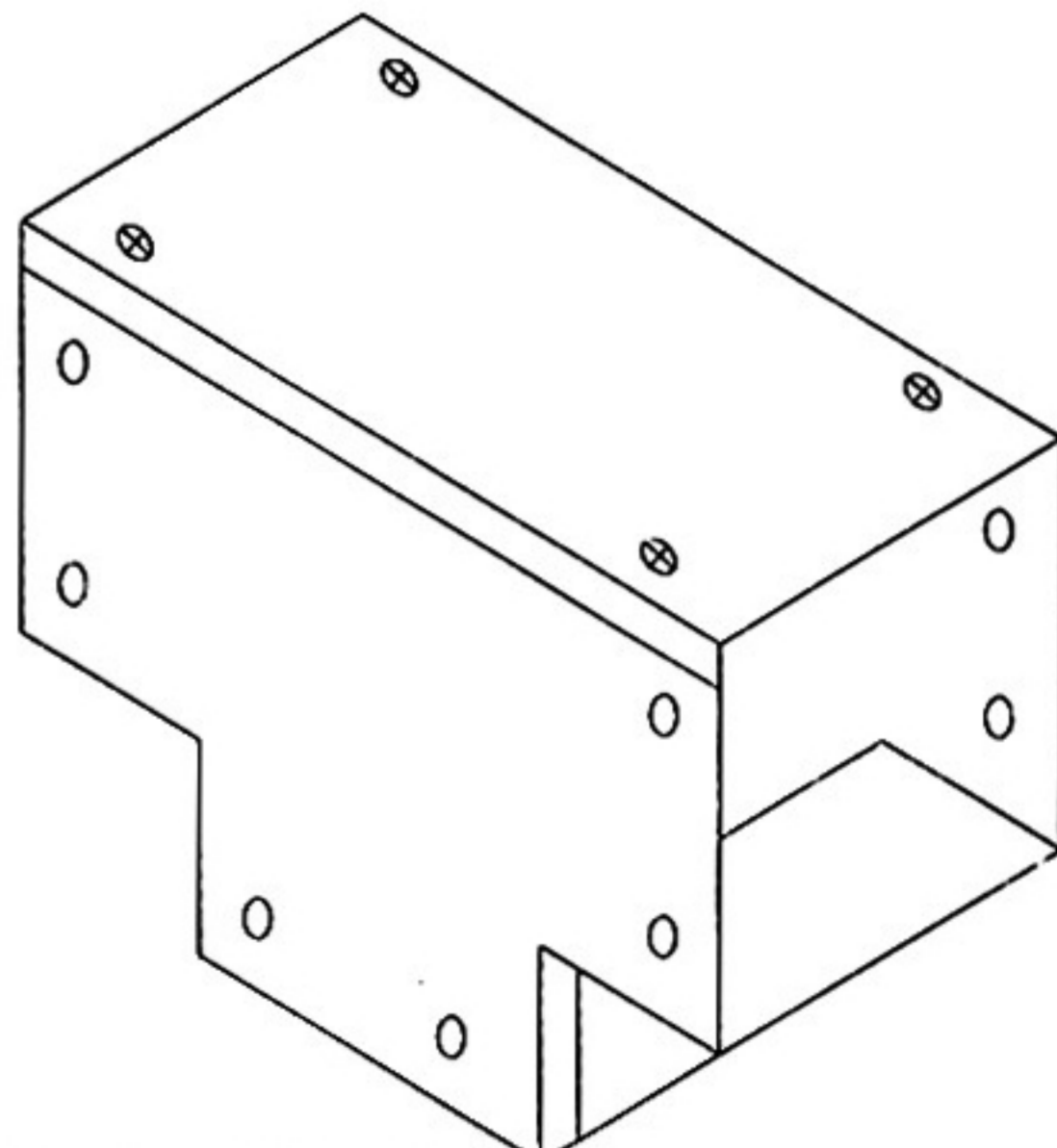
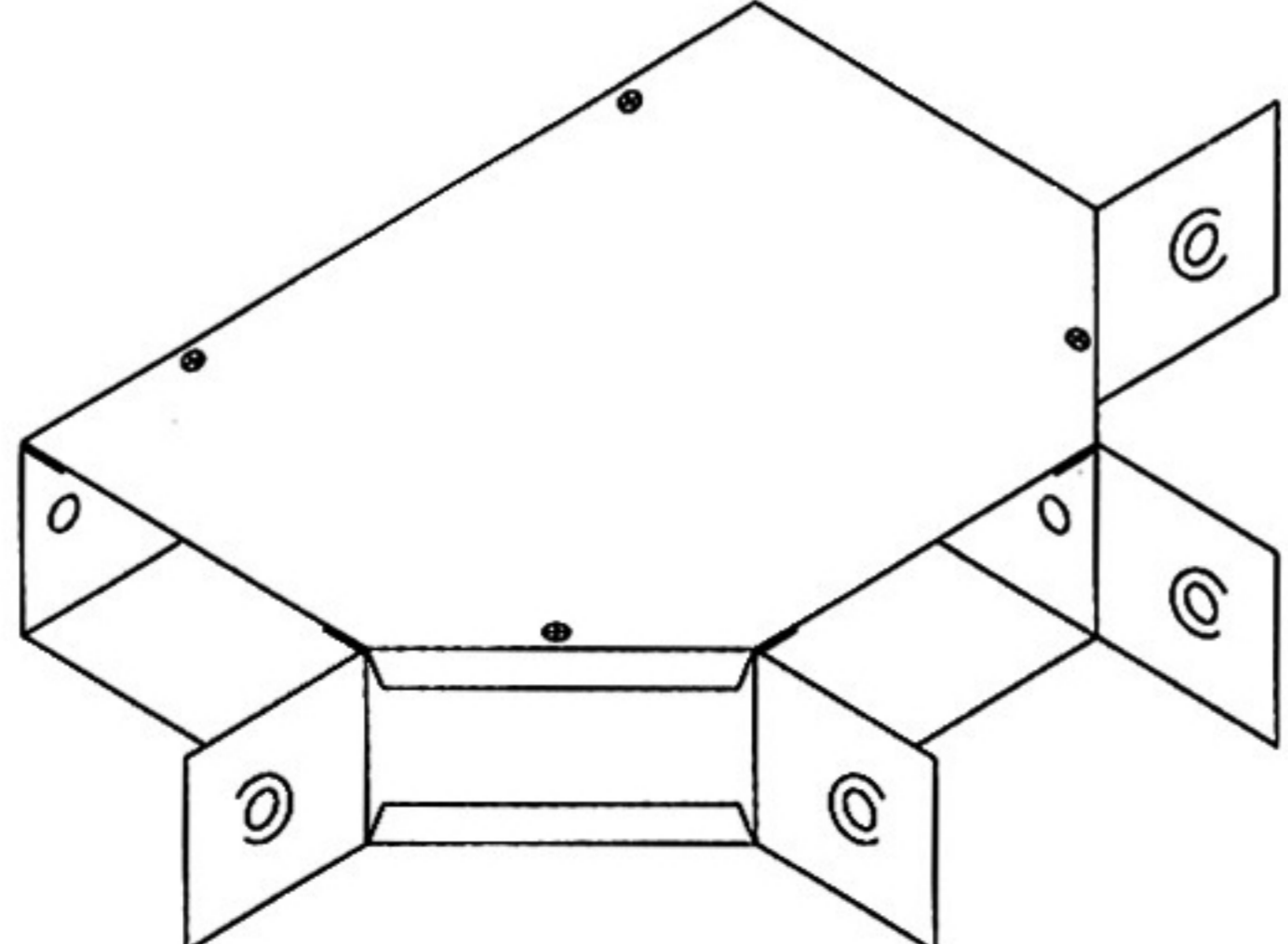
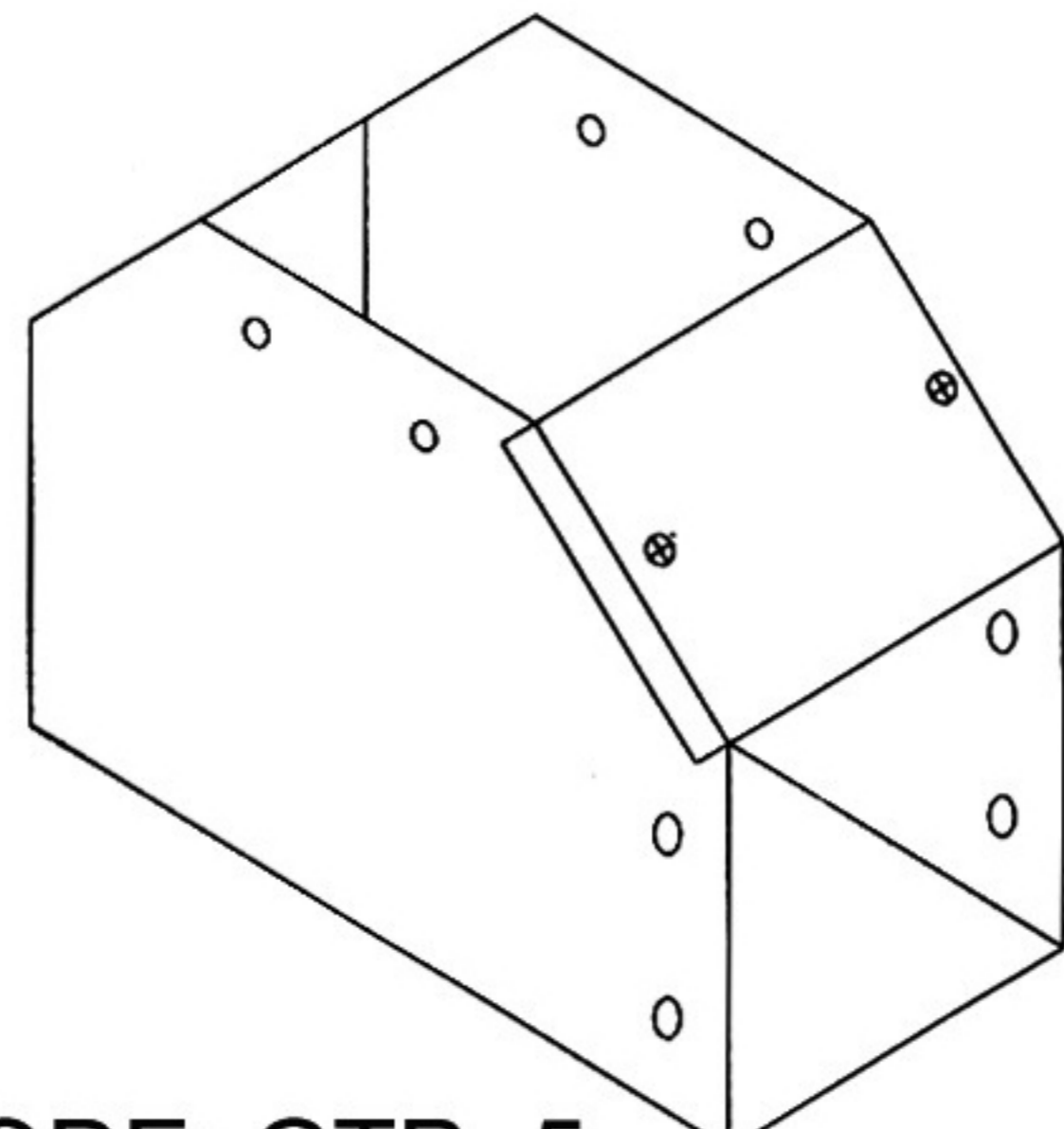
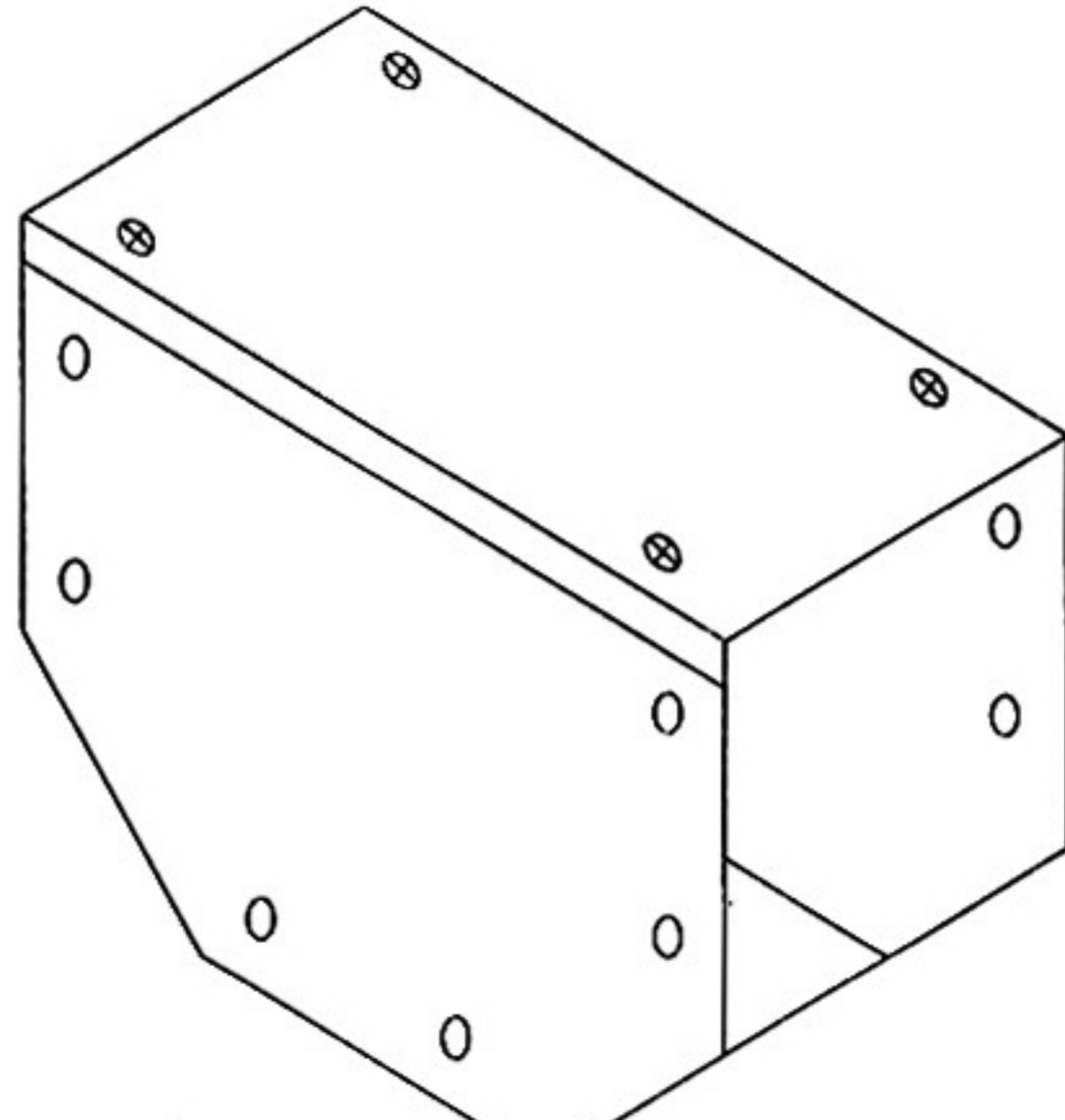
FITTING



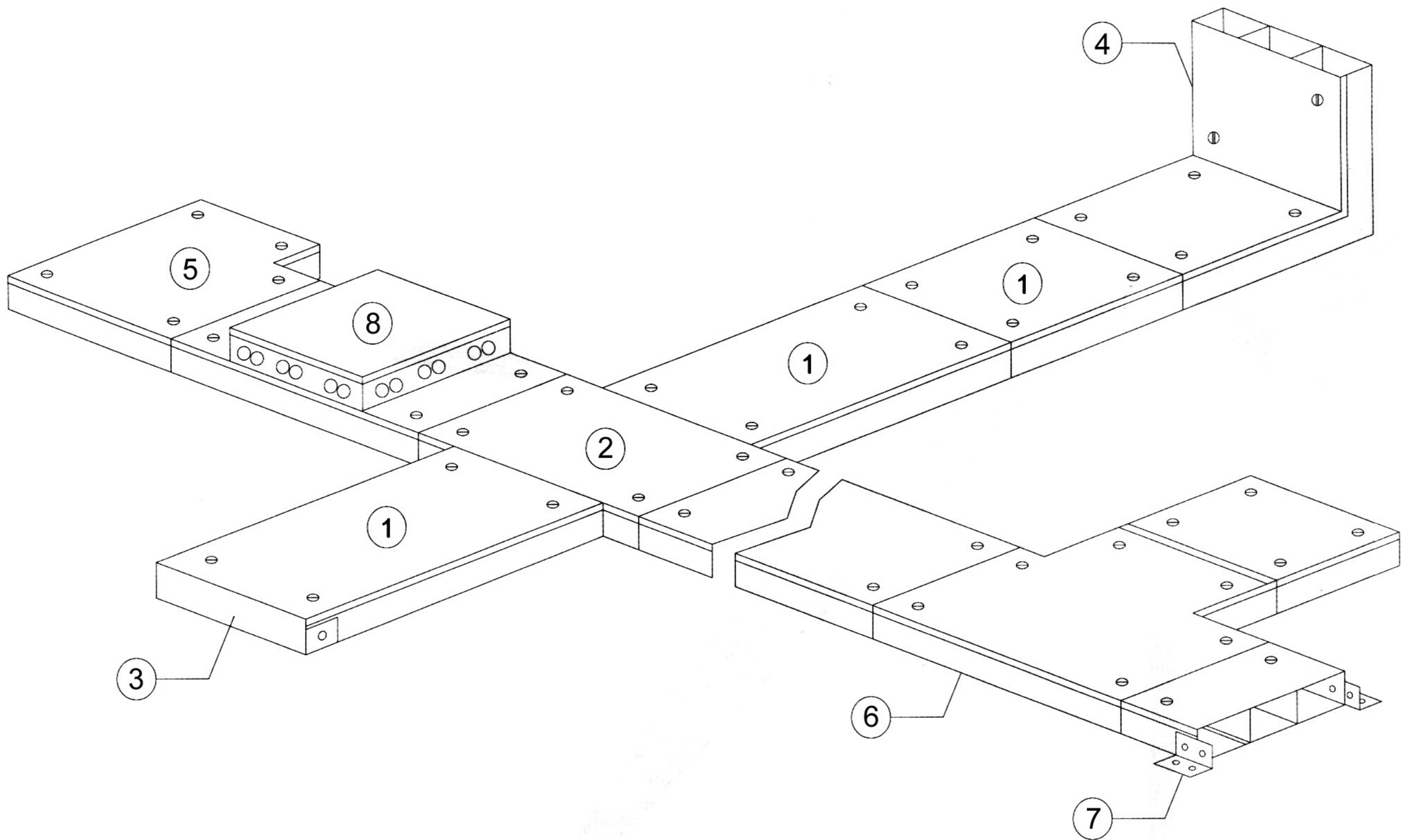
WIDTH	THICKNESS	SIDE HEIGHT	PART DESCRIPTION	TYPE	LENGTH
050	1 : 1.0 mm.	02 : 28 mm.	0SL - Straight Length	UF T	06 : 600 mm.
075	2 : 1.2 mm.	03 : 30 mm.	90H - 90 Deg. Bend	UNDER FLOOR	12 : 1200 mm.
100	3 : 1.5 mm.	04 : 38 mm.	45H - 45 Deg. Bend	TRUNKING	24 : 2440 mm.
150	4 : 2.0 mm.	05 : 50 mm.	90G - 90 Deg. Gusset Bend	┌┐┐	30 : 3000 mm.
200	5 : 2.5 mm.	06 : 65 mm.	0TH - Horizontal Tee Piece	┌┐┐	
225	6 : 3.0 mm.	07 : 75 mm.	0TG - Gusset Tee Piece	C FT	
250	┌	10 : 100 mm.	0CH - Horizontal Cross	INCAVITY FLOOR	
300		15 : 150 mm.	00R - Reducer	TRUNKING	
325		20 : 200 mm.	0VO - Vertical Offset	┌┐┐	
350		22 : 225 mm.	0CH - Horizontal Offset	FFT	
400		25 : 250 mm.	0AC - Angle Connector	FLUSH FLOOR	
406		25 : 250 mm.	FPC - Fish Plate Connector	TRUNKING	
450		30 : 300 mm.	0UC - U-Connector	┌┐┐	
500			0EC - End Cap		
550			90R - 90° Riser for changing Direction Front & Rear	MATERIAL FINISH	COVER TYPE
600			3WJ - 3-way Junction	A	TC
┌┐┐			4WJ - 4-way Junction	MILL GALVANIZED	Cover on Top
			FOS - Fly-over Assembly	B	IC
			0CS - Connector Set	HOT DIP GALVANIZED	Cover on Inside
			CJB - Connector For Junction box	C	OC
			0BE - Blind end	PAINTED	Cover on Outside
			ACS - Adjustable Connector set	┌	┌┐┐
			01W - Single way Junction Box		
			2WS - 2-way Straight Junction box		
			902W - 90° 2-ways Junction Box		
			03W - 3-way Junction Box		
			04W - 4-way Junction Box		
			90RC - 90° Riser Connector		
			SCS - Standard Connector Set		
			ECS - End Cap Set		
			┌┐┐┐		
	NO. OF COMPARTMENTS				
	2 - C				
	3 - C				
	3 - C				
	4 - C				
	┌				

FITTINGS



	Cover on Top	Cover on Inside	Cover on Outside
90° Bend	 <p>CODE: B90°-1</p>	 <p>CODE: B90°-2</p>	 <p>CODE: B90°-3</p>
90° Gusset Bend	 <p>CODE: GB90°-4</p>	 <p>CODE: GB90°-5</p>	 <p>CODE: GB90°-6</p>
45° Bend	 <p>CODE: B45°-7</p>	 <p>CODE: B45°-8</p>	 <p>CODE: B45°-9</p>
Tee-Piece	 <p>CODE: TP -1</p>	 <p>CODE: TP -2</p>	 <p>CODE: TP -3</p>
Gusset T-Piece	 <p>CODE: GTP -4</p>	 <p>CODE: GTP -5</p>	 <p>CODE: GTP -6</p>

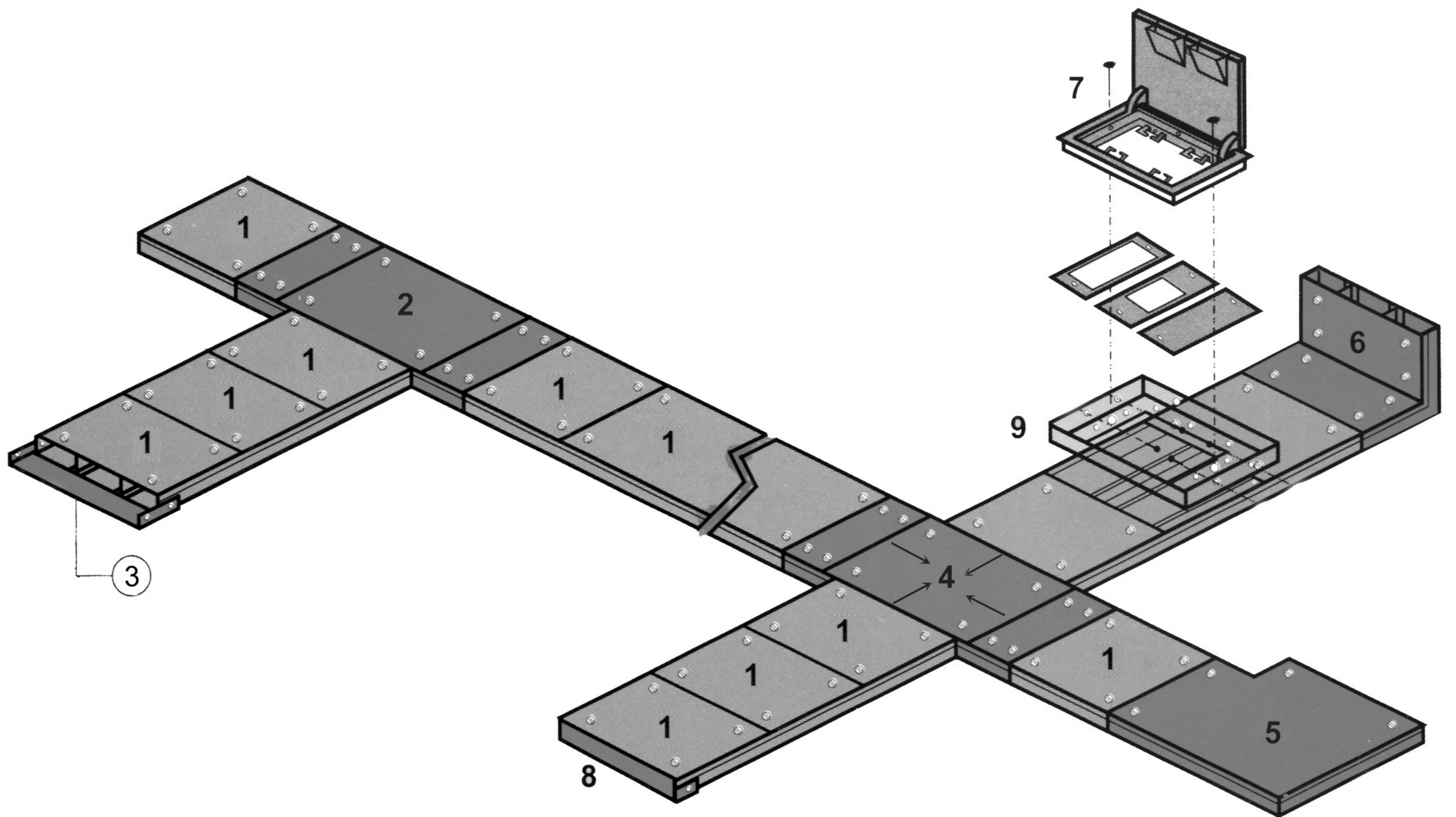
PRODUCT-RANGE IN-CAVITY TRUNKING



- 1 METAL TRUNKING
- 2 4-WAY JUNCTION BOX
- 3 STOP END
- 4 90° RISER BEND

- 5 90° ANGLE
- 6 3-WAY JUNCTION BOX
- 7 CONNECTOR
- 8 TAP-OFF UNIT

PRODUCT RANGE FLUSH FLOOR TRUNKING



No.	Part No.	PRODUCT
1	FST-30	Metal Trunking
2	3WJB-4	3 Way Junction Box
3	J/FC-2	Joint/fix Connector
4	4WJB-5	4 Way Junction Box
5	90°A-3	90 Deg. Angle

No.	Part No.	PRODUCT
6	90°RB-6	90 Deg. Riser Bend
7	HLA-7	Hinged Lid Assembly
8	SE-8	Stop End
9	GJ-9	Grid Kit